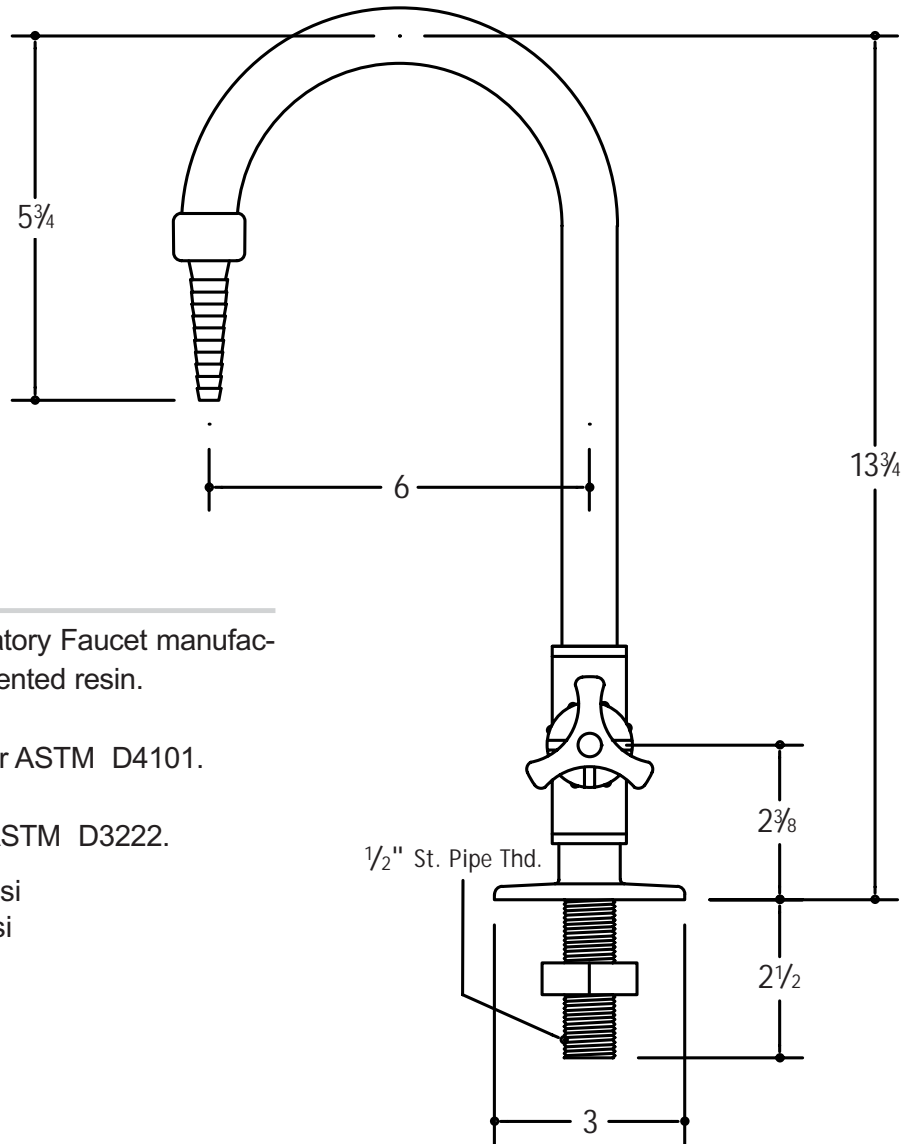


Faucet Submittal GNF 10-STD

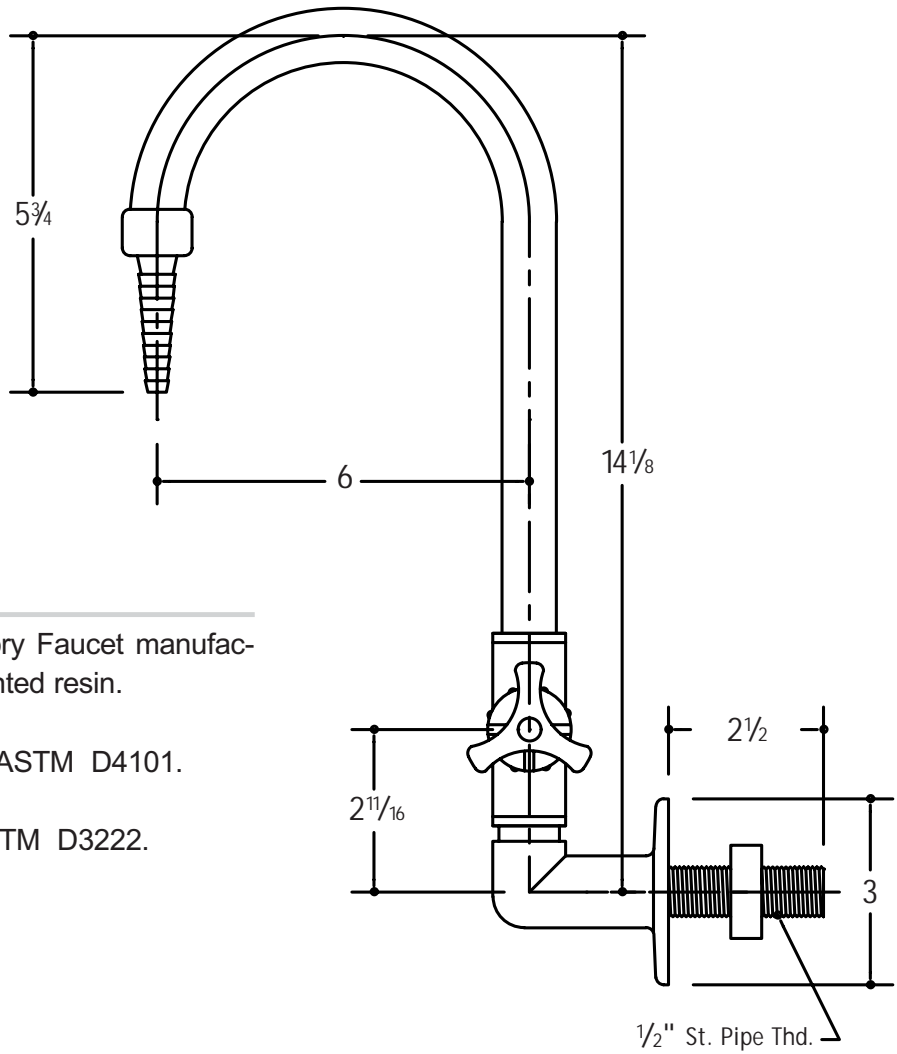


Welded assembly

Deck mounted Laboratory Faucet manufactured from virgin unpigmented resin.

- Polypropylene per ASTM D4101.
- PVDF resin per ASTM D3222.
- 1/4 GPM Flow @ 30 psi
- 1/2 GPM Flow @ 60 psi

Faucet Submittal GNF 20-STD

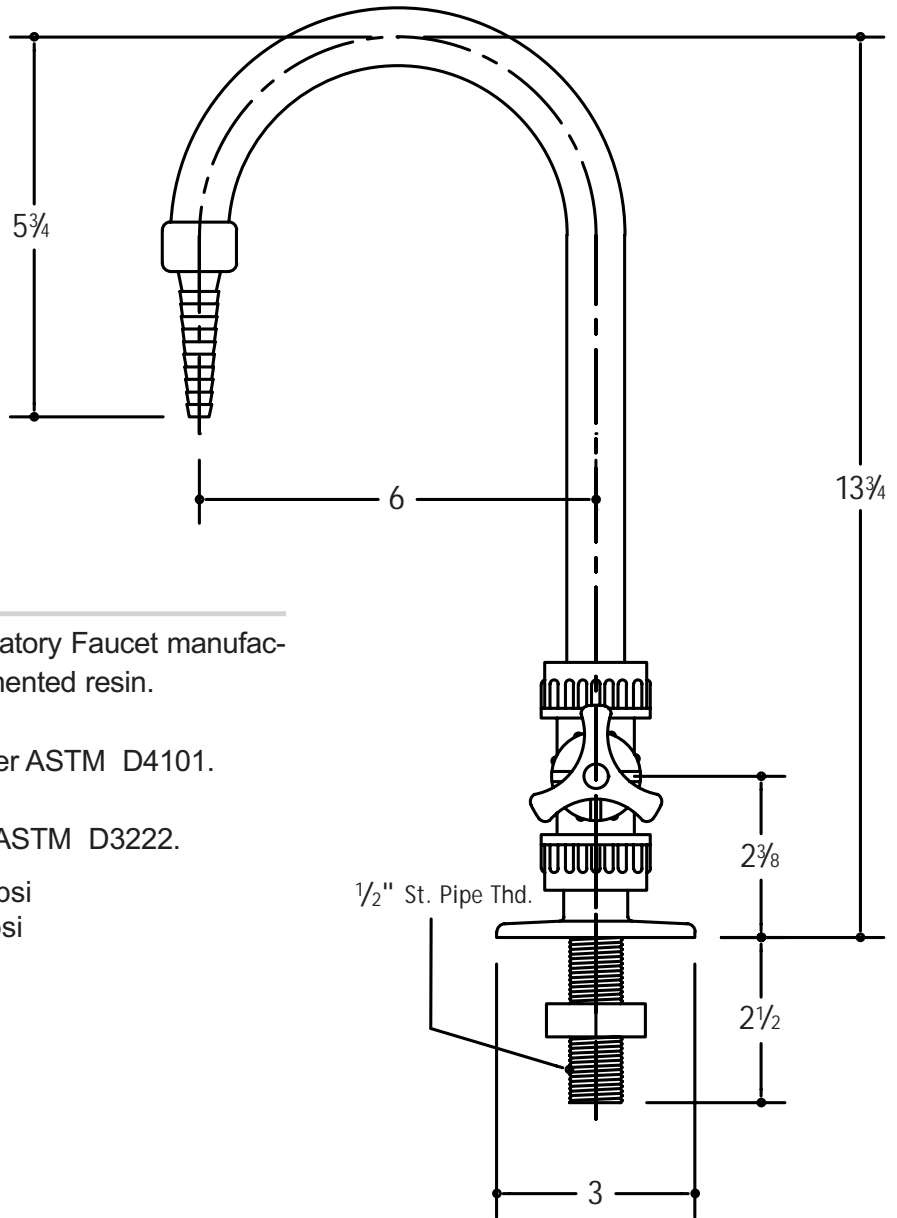


Welded assembly

Wall mounted Laboratory Faucet manufactured from virgin unpigmented resin.

- Polypropylene per ASTM D4101.
- PVDF resin per ASTM D3222.
- 1/4 GPM Flow @ 30 psi
- 1/2 GPM Flow @60 psi

Faucet Submittal GNF 30-STD

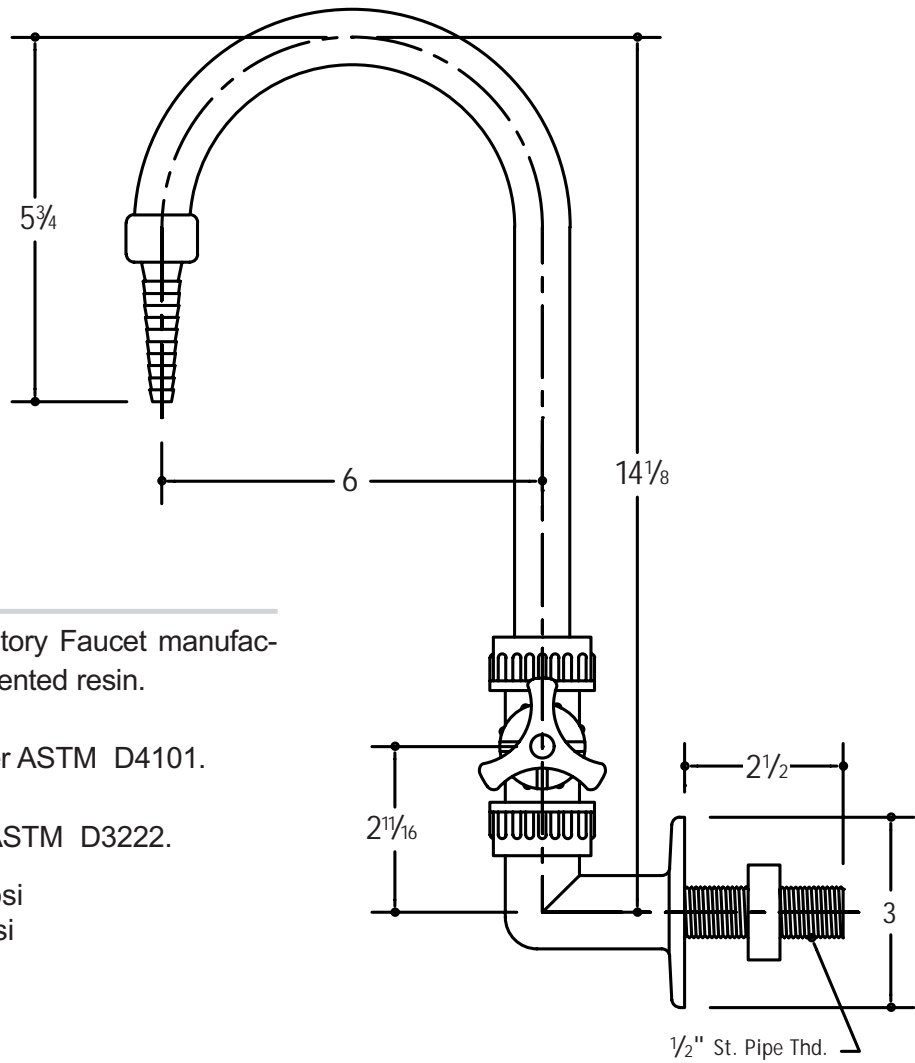


Threaded assembly

Deck mounted Laboratory Faucet manufactured from virgin unpigmented resin.

- Polypropylene per ASTM D4101.
- PVDF resin per ASTM D3222.
- 1/4 GPM Flow @ 30 psi
- 1/2 GPM Flow @ 60 psi

Faucet Submittal GNF 40-STD

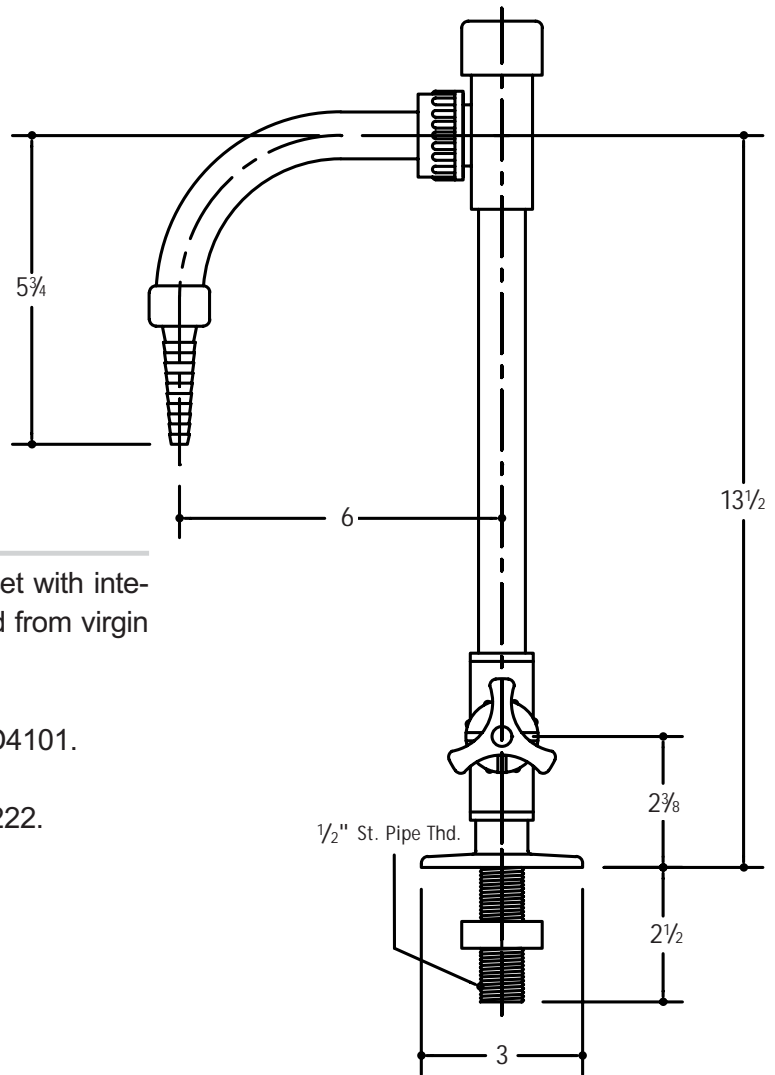


Threaded assembly

Wall mounted Laboratory Faucet manufactured from virgin unpigmented resin.

- Polypropylene per ASTM D4101.
- PVDF resin per ASTM D3222.
- 1/4 GPM Flow @ 30 psi
- 1/2 GPM Flow @60 psi

Faucet Submittal GNF 10-VB

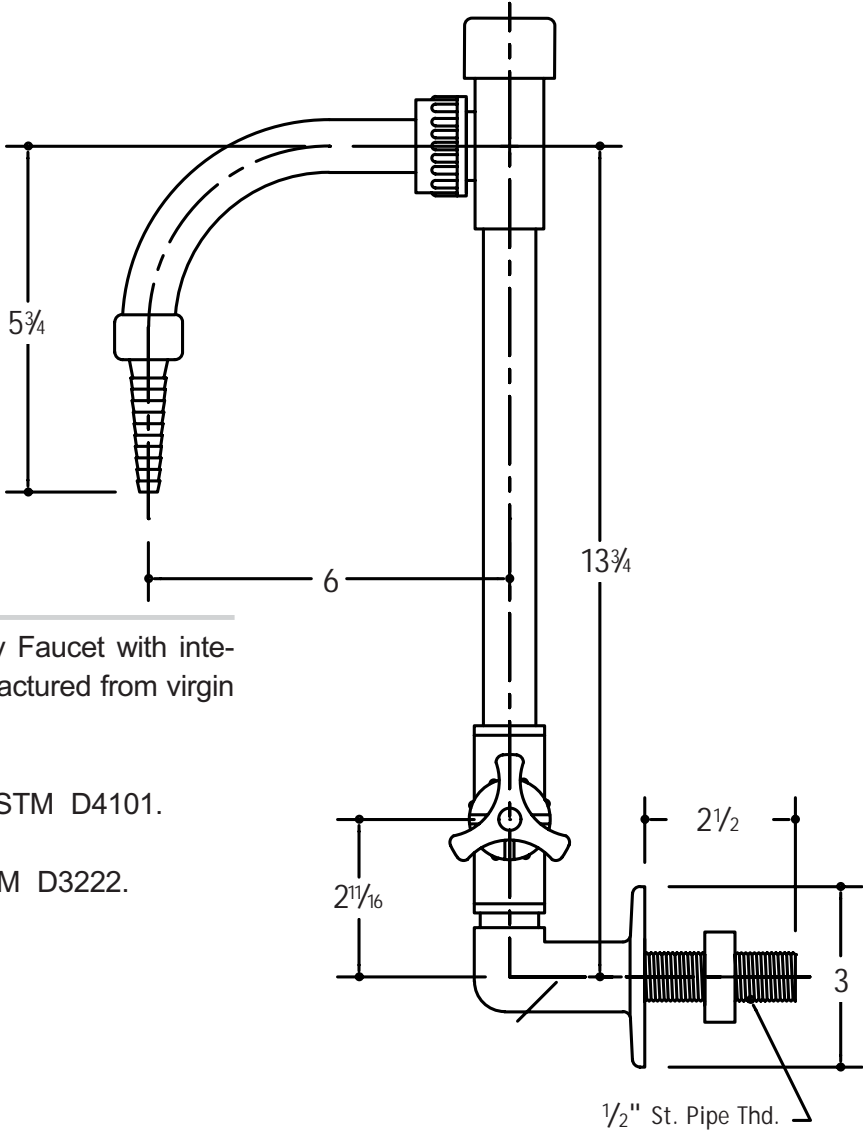


Welded assembly

Deck mounted Laboratory Faucet with integral vacuum breaker manufactured from virgin unpigmented resin.

- Polypropylene per ASTM D4101.
 - PVDF resin per ASTM D3222.
- 1/4 GPM Flow @ 30 psi
 - 1/2 GPM Flow @ 60 psi

Faucet Submittal GNF 20-VB

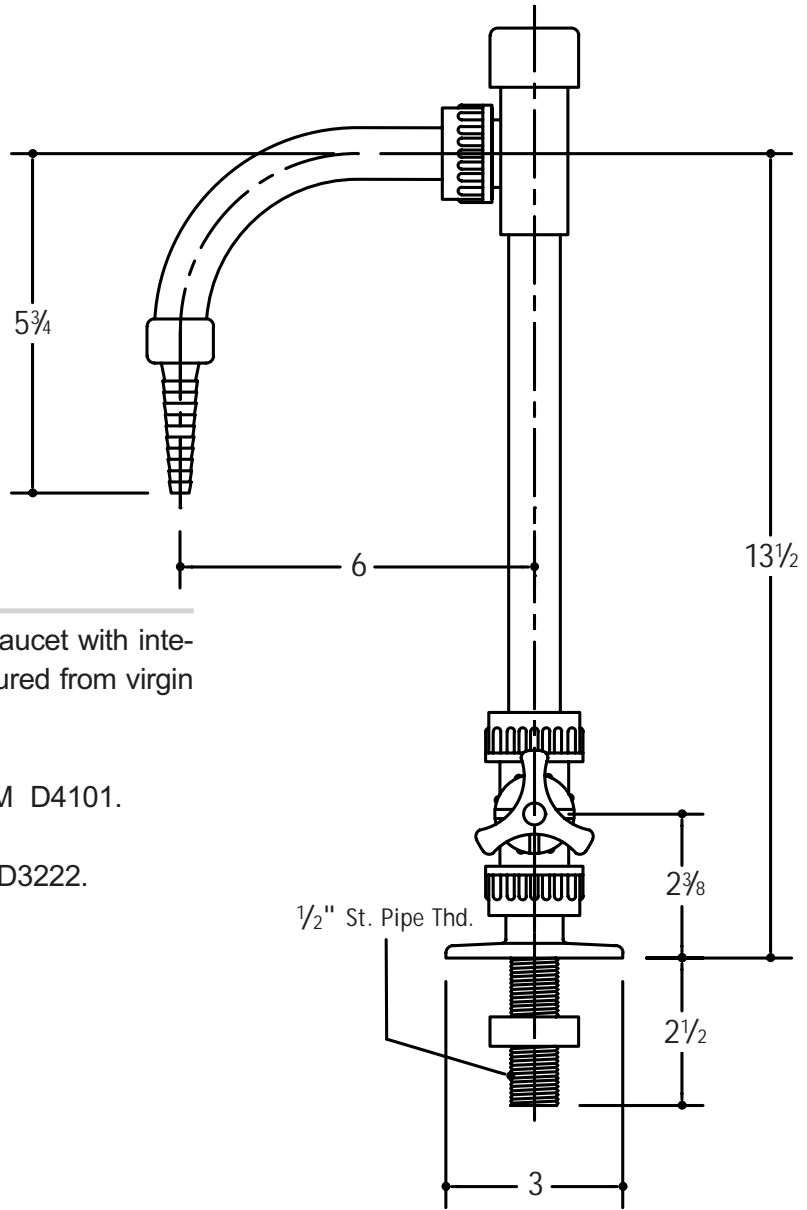


Welded assembly

Wall mounted Laboratory Faucet with integral vacuum breaker manufactured from virgin unpigmented resin.

- Polypropylene per ASTM D4101.
 - PVDF resin per ASTM D3222.
- 1/4 GPM Flow @ 30 psi
 - 1/2 GPM Flow @60 psi

Faucet Submittal GNF 30-VB



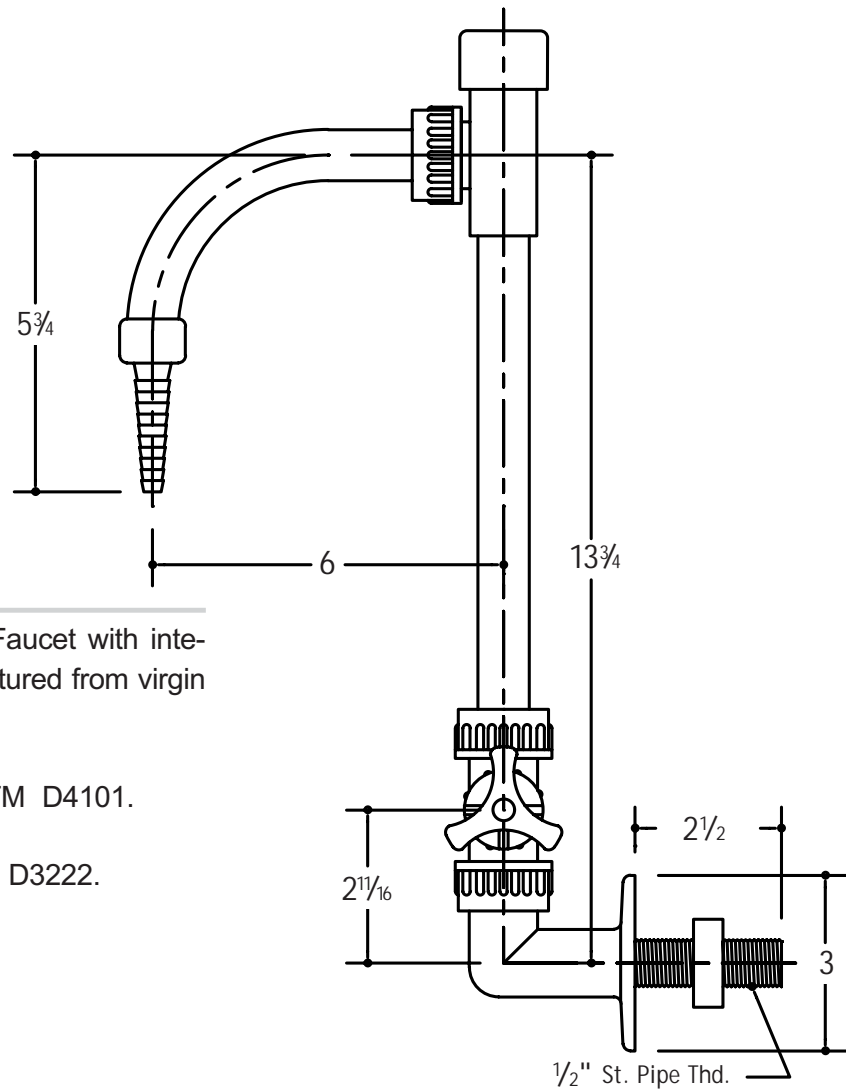
Threaded assembly

Deck mounted Laboratory Faucet with integral vacuum breaker manufactured from virgin unpigmented resin.

- Polypropylene per ASTM D4101.
- PVDF resin per ASTM D3222.

- 1/4 GPM Flow @ 30 psi
- 1/2 GPM Flow @60 psi

Faucet Submittal GNF 40-VB

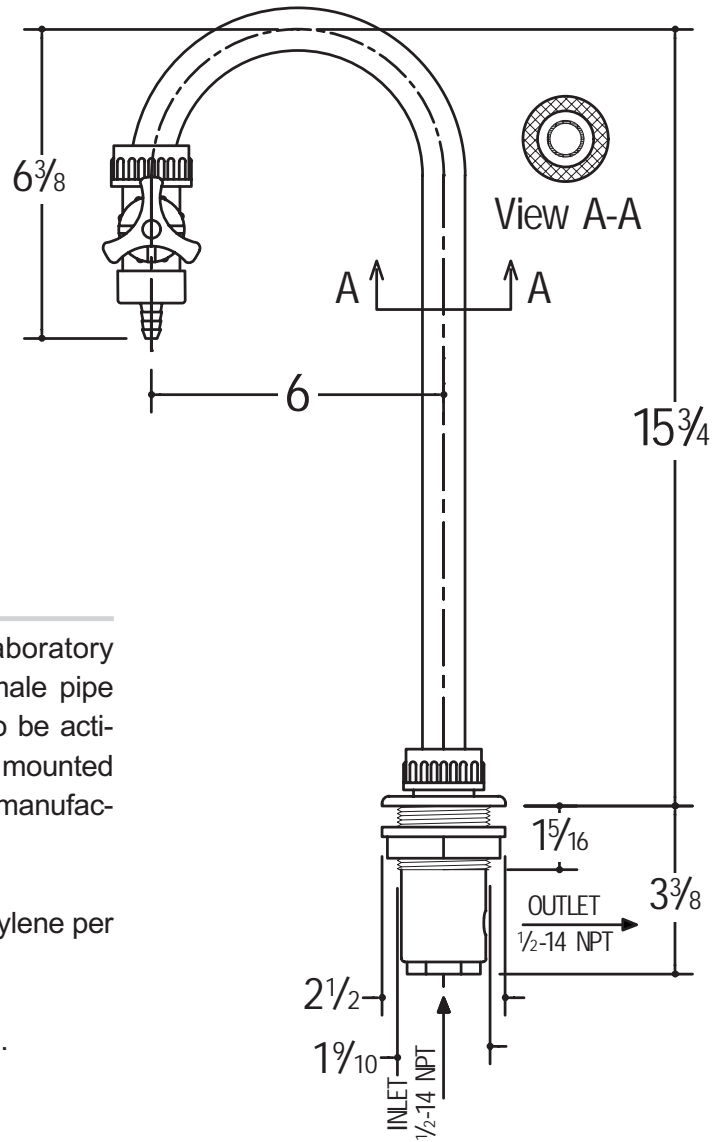


Threaded assembly

Wall mounted Laboratory Faucet with integral vacuum breaker manufactured from virgin unpigmented resin.

- Polypropylene per ASTM D4101.
- PVDF resin per ASTM D3222.
- 1/4 GPM Flow @ 30 psi
- 1/2 GPM Flow @60 psi

Recirculating Faucet Submittal



Recirculating Faucet

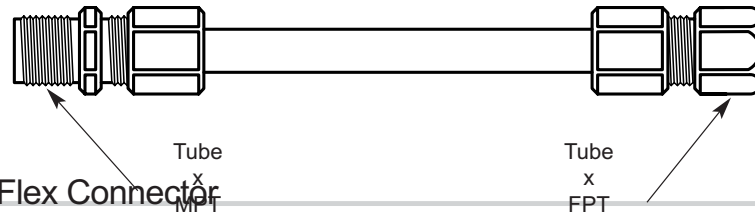
Deck mounted Recirculating Laboratory Faucet Inlet and Outlet to be $\frac{1}{2}$ " female pipe thread, and molded into base. Unit to be activated by needle valve of same resin, mounted at point of release of fluid. Faucet manufactured from virgin unpigmented resin.

Type I Homopolymer Polypropylene per ASTM D4101.

PVDF resin per ASTM D3222.

- 1/4 GPM Flow @ 30 psi
- 1/2 GPM Flow @ 60 psi

Flex Connector Submittal



Ultra Pure Water Flex Connector

Description	Part Number
12" lg x 3/8 F.I.P. x 1/2 F.I.P.	38F-12-12F
12" lg x 3/8 F.I.P. x 1/2 M.I.P.	38F-12-12M
12" lg x 3/8 M.I.P. x 1/2 F.I.P.	38M-12-12F
12" lg x 3/8 M.I.P. x 1/2 M.I.P.	38M-12-12M
12" lg x 1/2 F.I.P. x 1/2 F.I.P.	12F-12-12F
12" lg x 1/2 M.I.P. x 1/2 M.I.P.	12M-12-12M
12" lg x 1/2 M.I.P. x 1/2 F.I.P.	12M-12-12F
18" lg x 3/8 F.I.P. x 1/2 F.I.P.	38F-18-12F
18" lg x 3/8 F.I.P. x 1/2 M.I.P.	38F-18-12M
18" lg x 3/8 M.I.P. x 1/2 F.I.P.	38M-18-12F
18" lg x 3/8 M.I.P. x 1/2 M.I.P.	38M-18-12M
18" lg x 1/2 F.I.P. x 1/2 F.I.P.	12F-18-12F
18" lg x 1/2 M.I.P. x 1/2 M.I.P.	12M-18-12M
18" lg x 1/2 M.I.P. x 1/2 F.I.P.	12M-18-12F

Description	Part Number
24" lg x 3/8 F.I.P. x 1/2 F.I.P.	38F-24-12F
24" lg x 3/8 F.I.P. x 1/2 M.I.P.	38F-24-12M
24" lg x 3/8 M.I.P. x 1/2 F.I.P.	38M-24-12F
24" lg x 3/8 M.I.P. x 1/2 F.I.P.	38M-24-12M
24" lg x 1/2 F.I.P. x 1/2 F.I.P.	12F-24-12F
24" lg x 1/2 M.I.P. x 1/2 M.I.P.	12M-24-12M
24" lg x 1/2 M.I.P. x 1/2 F.I.P.	12M-24-12F
36" lg x 3/8 F.I.P. x 1/2 F.I.P.	38F-36-12F
36" lg x 3/8 F.I.P. x 1/2 M.I.P.	38F-36-12M
36" lg x 3/8 M.I.P. x 1/2 F.I.P.	38M-36-12F
36" lg x 3/8 M.I.P. x 1/2 M.I.P.	38M-36-12M
36" lg x 1/2 F.I.P. x 1/2 F.I.P.	12F-36-12F
36" lg x 1/2 M.I.P. x 1/2 M.I.P.	12M-36-12M
36" lg x 1/2 M.I.P. x 1/2 F.I.P.	12M-36-12F

Flex connectors will be manufactured from virgin PVDF resin per ASTM D3222. PVDF tubing will be 1/2" in diameter. Threaded connectors will be manufactured of same resin.