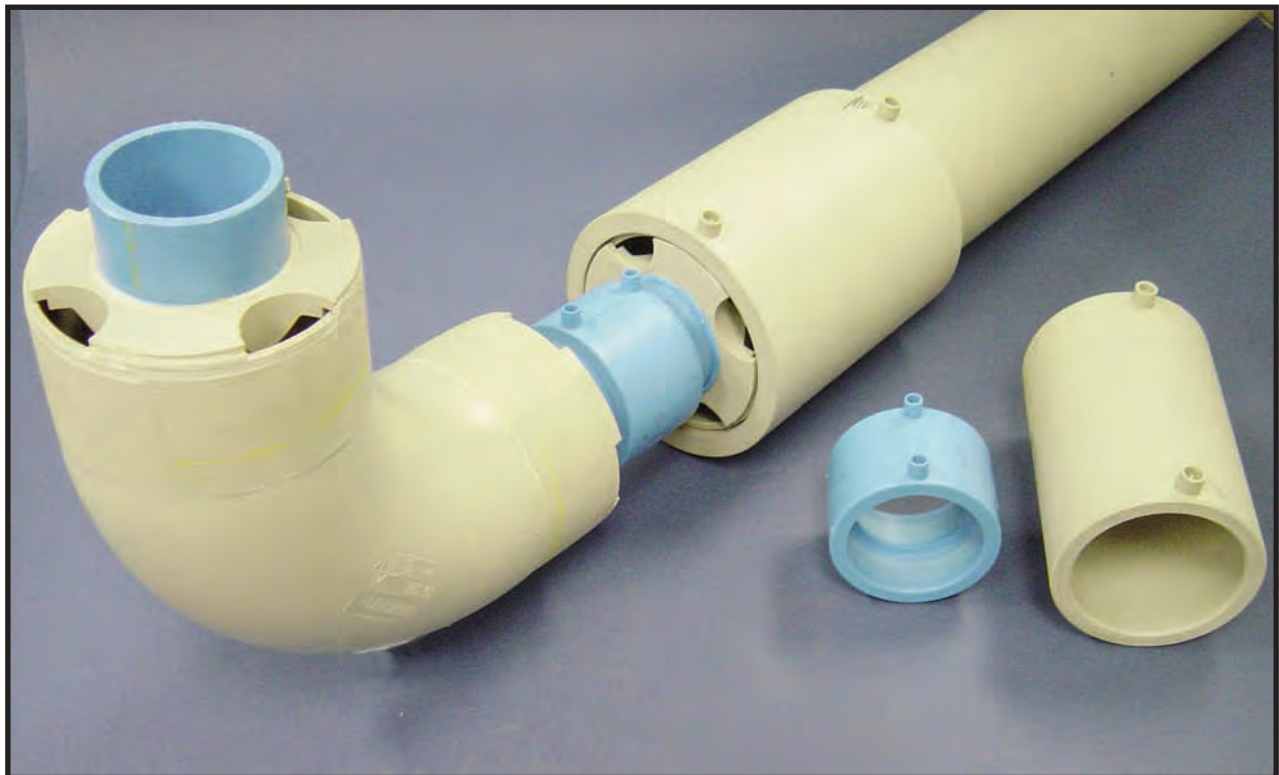


# ORION

## CFX2™

### Double Containment Price List Polypropylene and PVDF



## STANDARD CF<sub>X</sub>2 PRODUCT CONFIGURATION

### --- DRAINAGE SYSTEMS ---

**For PP in PP; PVDF in PP, and PVDF in PVDF:**

[Sch. 40 carrier pipe in 45psi (SDR33) containment pipe]

### --- PRESSURE SYSTEMS ---

**For PP:**

[150psi (SDR11) carrier pipe in 150psi (SDR11) containment pipe; 1/2" in 2"; 3/4" in 2"]

[150psi (SDR11) carrier pipe in 45psi (SDR17.6) containment pipe; 1" in 3" thru 2" in 4"]

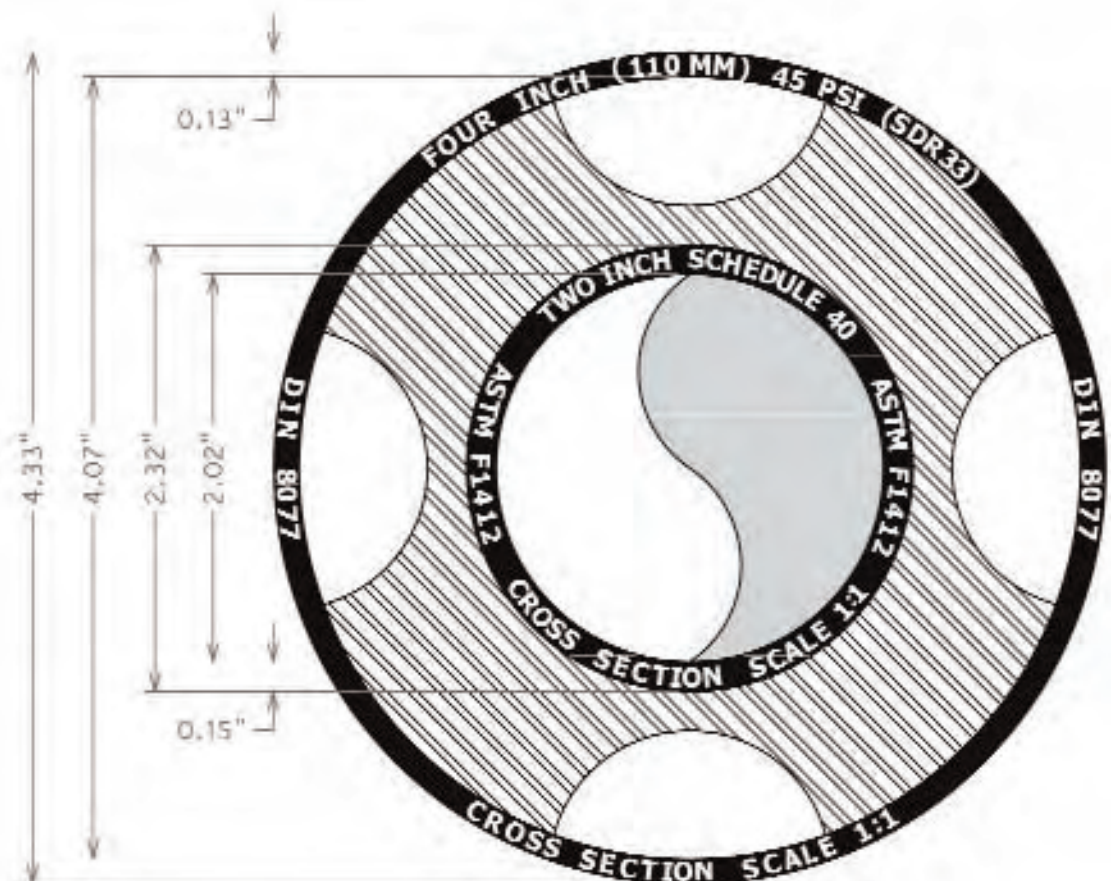
**For PVDF:**

[For PP outer: same as above, except carrier pipe is 230psi (ISO 10931-1 spec.)

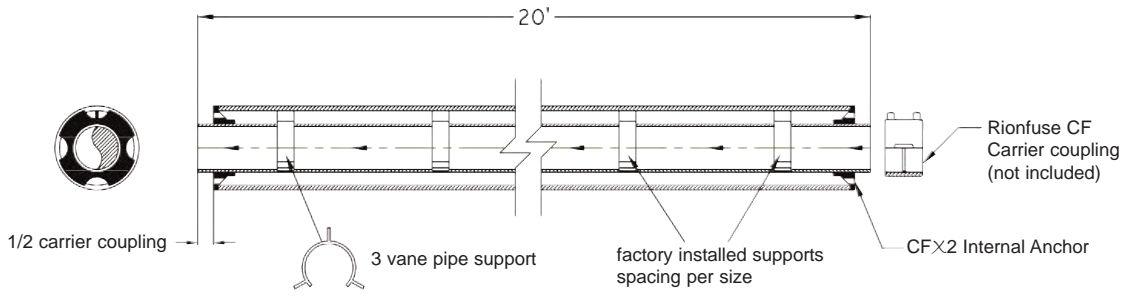
[For PVDF outer, 230psi for 2" outer size, 150psi in 3" and 4" (ISO 10931-1 spec.)

**\*\*\* Note: Other Wall Thickness Variations Available by Special Quotation \*\*\***

**EXAMPLE:**  
Full scale  
cross  
section  
drawing of  
2" Sch. 40  
carrier  
inside 4"  
(110mm)  
45psi  
(SDR33)  
containment.



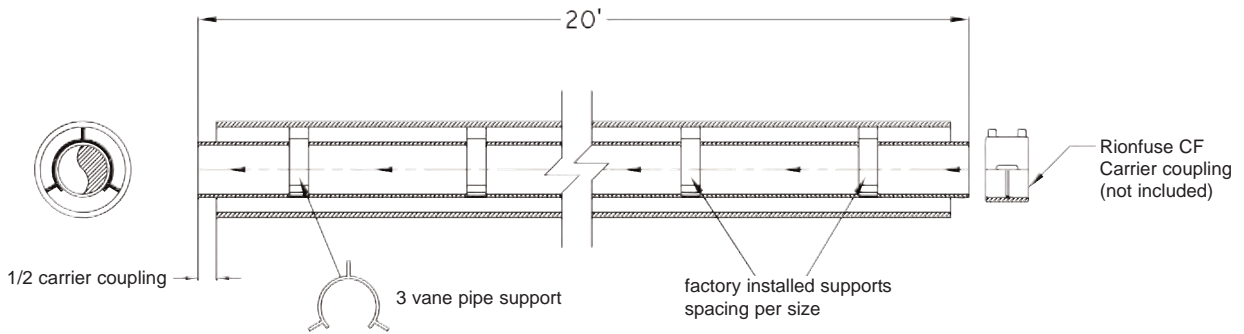
**CFx2™ Anchored Pipe**



Sizes	size code	PPxPP	PVDFxPP	PVDFxPVDF
		#011733004	#021711007	#021411004
1/2 x 2	0122	\$20.40	\$35.00	\$91.10
3/4 x 2	0342	\$23.90	\$38.00	\$94.30
1 x 3	0013	\$29.20	\$59.40	\$125.80
1-1/2 x 3	0053	\$31.20	\$77.00	\$155.00
1-1/2 x 4	0054	\$34.00	\$86.80	\$198.70
2 x 4	0024	\$34.40	\$100.70	\$215.70
3 x 6	0036	\$63.20	\$148.70	\$392.20
4 x 8	0048	\$65.30	\$197.40	\$594.60
6 x 10	0610	\$100.30	\$389.80	\$954.40
8 x 12	0812	\$137.60	\$625.00	\$1696.20

\*All prices shown are per ft, standard length 20 ft. Upon request, pull wire for leak detection cable can be factory installed for an additional list price of \$5.00 per foot.

**CFx2™ NON-Anchored Pipe**



Sizes	size code	PPxPP	PVDFxPP	PVDFxPVDF
		#011733010	#021711003	#021411000
1/2 x 2	0122	\$13.30	\$28.30	\$84.80
3/4 x 2	0342	\$16.80	\$31.30	\$87.90
1 x 3	0013	\$21.10	\$59.40	\$119.60
1-1/2 x 3	0053	\$23.20	\$71.30	\$148.60
1-1/2 x 4	0054	\$23.90	\$73.40	\$186.00
2 x 4	0024	\$24.50	\$86.80	\$202.40
3 x 6	0036	\$49.20	\$122.00	\$377.00
4 x 8	0048	\$52.00	\$180.10	\$578.20
6 x 10	0610	\$85.60	\$368.90	\$934.60
8 x 12	0812	\$126.60	\$570.70	\$1644.70

\*All prices shown are per ft, standard length 20 ft. Upon request, pull wire for leak detection cable can be factory installed for an additional list price of \$5.00 per foot.

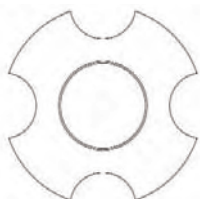
**SEE PAGE 2 FOR STANDARD CFx2 MATERIAL DESCRIPTION FOR PPxPP, PVDFxPP, AND PVDFxPVDF**

## Internal Centering Snap-On Supports



Sizes	size code	PPxPP	PVDFxPP	PVDFxPVDF
		#011733076	#021711051	#021411048
1-1/2 x 3	0053	\$18.90	\$62.80	\$59.50
1-1/2 x 4	0054	\$18.90	\$62.80	\$59.50
2 x 4	0024	\$18.90	\$62.80	\$59.50
3 x 6	0036	\$25.10	\$83.60	\$79.30
4 x 8	0048	\$31.60	\$116.60	\$110.60

## Plate Type Support Centralizers



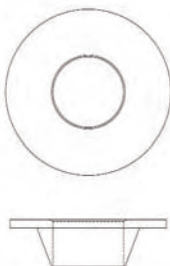
Sizes	size code	PPxPP	PVDFxPP	PVDFxPVDF
		#011733777	#021711777	#021411777
4 x 8	0048	\$235.70	\$410.90	\$389.60
6 x 10	0610	\$385.30	\$857.50	\$813.10
8 x 12	0812	\$532.90	\$1551.30	\$1471.00

## Tapered Force Transfer Internal Anchors



Sizes	size code	PPxPP	PVDFxPP	PVDFxPVDF
		#011733099	#021711055	#021411052
1-1/2 x 3	0053	\$23.50	\$142.00	\$134.60
1-1/2 x 4	0054	\$23.50	\$164.40	\$155.90
2 x 4	0024	\$39.30	\$164.40	\$155.90
3 x 6	0036	\$117.90	\$224.10	\$212.50
4 x 8	0048	\$235.70	\$410.90	\$389.60
6 x 10	0610	\$385.30	\$857.50	\$813.10
8 x 12	0812	\$532.90	\$1551.30	\$1471.00

## Solid Internal Termination Fitting (for Compartmentalization)



Sizes	size code	PPxPP	PVDFxPP	PVDFxPVDF
		#011733093	#021711093	#021411093
1-1/2 x 3	0053	\$175.40	\$433.60	\$316.30
1-1/2 x 4	0054	\$189.50	\$567.00	\$341.60
2 x 4	0024	\$196.40	\$600.30	\$354.20
3 x 6	0036	\$306.50	\$833.80	\$578.20
4 x 8	0048	\$392.80	\$1000.50	\$708.40
6 x 10	0610	\$614.90	\$1322.40	\$1108.80
8 x 12	0812	\$811.70	\$2081.00	\$1478.40

SEE PAGE 2 FOR STANDARD CFx2 MATERIAL DESCRIPTION FOR PPxPP, PVDFxPP, AND PVDFxPVDF



<b>Rionfuse CF PP Carrier Couplings</b>		
<b>Size</b>	<b>Part #</b>	<b>Price</b>
1/2"	131100501	POA
3/4"	131100701	POA
1"	131101001	POA
1-1/2"	131101501	\$17.10
2"	131102001	\$21.40
3"	131103001	\$25.60
4"	131104001	\$34.20
6"	131106001	\$96.80
8"	131108001	\$350.00
10"	131110001	\$540.30
12"	131112001	\$600.30

Note: Below 1" is recommended to use Polystar socket fusion couplings in lieu of electrofusion.

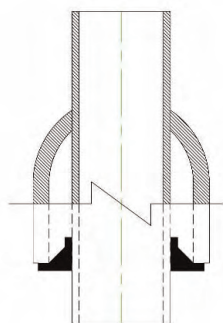
<b>Rionfuse CF PVDF Carrier couplings</b>		
<b>Size</b>	<b>Part #</b>	<b>Price</b>
1"	132101001	POA
1-1/2"	132101501	\$31.80
2"	132102001	\$40.30
3"	132103001	\$84.30
4"	132104001	\$103.80
6"	132106001	\$161.70
8"	132108001	POA
10"	132110001	POA
12"	132112001	POA

Note: Below 1" is recommended to use Fluorostar socket fusion couplings in lieu of electrofusion.

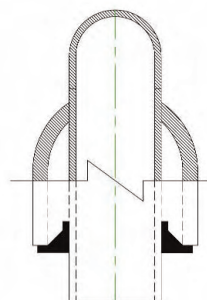
<b>Rionfuse CFx2 PP Electrofusion Secondary Containment Couplings</b>		
<b>Size</b>	<b>Part #</b>	<b>Price</b>
2"	334500020	POA
3"	334500030	\$129.80
4"	334500040	\$150.40
6"	334500060	\$184.50
8"	334500080	\$380.00
10"	334500010	\$560.00
12"	334500012	\$620.00
14"	334500014	POA
16"	334500016	POA
18"	334500018	POA

<b>Rionfuse CFx2 PVDF Secondary Containment Couplings</b>		
<b>Size</b>	<b>Part #</b>	<b>Price</b>
3"	114500030	\$277.20
4"	114500040	\$486.60
6"	114500060	\$677.60
8"	114500080	\$924.00
10"	114500010	POA
12"	114500012	POA

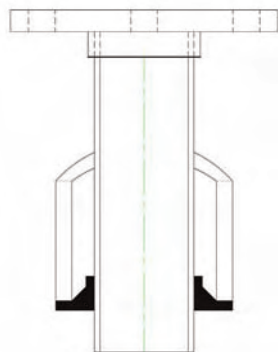
SEE PAGE 2 FOR STANDARD CFx2 MATERIAL DESCRIPTION FOR PPxPP, PVDFxPP, AND PVDFxPVDF

**U-TERM™ Termination Fittings (Base Prices Shown w/o Drain/Vent/L.D. Outlets)**


Sizes	size code	PPxPP	PVDFxPP	PVDFxPVDF
		#011733081	#021711063	#021411060
1/2 x 2	0122	\$105.30	\$300.20	\$341.60
3/4 x 2	0342	\$112.20	\$333.50	\$360.60
1 x 3	0013	\$126.30	\$380.20	\$373.20
1-1/2 x 3	0053	\$133.60	\$395.90	\$403.80
1-1/2 x 4	0054	\$149.30	\$470.60	\$559.70
2 x 4	0024	\$149.30	\$739.60	\$559.70
3 x 6	0036	\$196.40	\$821.70	\$616.30
4 x 8	0048	\$306.50	\$1591.20	\$984.70
6 x 10	0610	\$409.90	\$2650.40	\$1618.90
8 x 12	0812	\$614.90	POA	POA

**Double Contained Cap (Terminated Containment, Capped Carrier)**


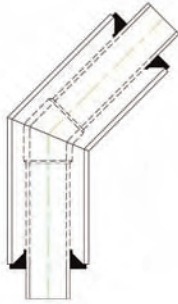
Sizes	size code	PPxPP	PVDFxPP	PVDFxPVDF
		#011733122	#021711083	#021411080
1/2 x 2	0012	\$210.50	\$393.60	\$379.50
3/4 x 2	0342	\$217.50	\$400.20	\$392.20
1 x 3	0013	\$231.60	\$420.30	\$411.20
1-1/2 x 3	0053	\$322.10	\$425.80	\$418.00
1-1/2 x 4	0054	\$329.20	\$522.90	\$460.50
2 x 4	0024	\$329.20	\$672.30	\$531.30
3 x 6	0036	\$433.00	\$933.80	\$602.10
4 x 8	0048	\$540.90	\$1770.50	\$984.70
6 x 10	0610	\$698.90	POA	\$1574.50
8 x 12	0812	\$903.50	POA	\$2505.90

**Termination/Flange Combo (Terminated Containment, Flange on Carrier)**


Sizes	size code	PPxPP	PVDFxPP	PVDFxPVDF
		#011733126	#021711087	#021411084
1/2 x 2	0122	\$245.60	\$466.90	\$499.70
3/4 x 2	0342	\$273.60	\$506.90	\$525.00
1 x 3	0013	\$350.80	\$546.90	\$537.70
1-1/2 x 3	0053	\$433.00	\$600.30	\$594.60
1-1/2 x 4	0054	\$541.60	\$673.70	\$790.70
2 x 4	0024	\$541.60	\$967.20	\$790.70
3 x 6	0036	\$669.80	\$1155.20	\$948.80
4 x 8	0048	\$866.00	\$1994.40	\$1448.50
6 x 10	0610	\$1204.90	\$3619.20	\$2501.40
8 x 12	0812	\$1457.70	POA	POA

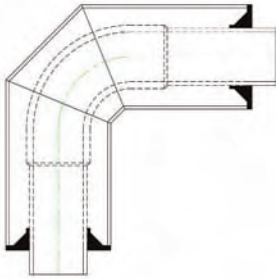
SEE PAGE 2 FOR STANDARD CFx2 MATERIAL DESCRIPTION FOR PPxPP, PVDFxPP, AND PVDFxPVDF

**45 Degree Elbow**



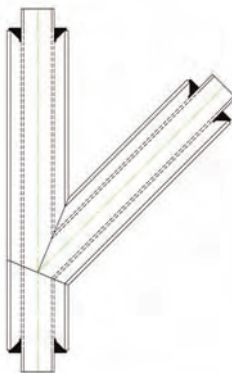
Sizes	size code	PPxPP	PVDFxPP	PVDFxPVDF
		#011733016	#021711015	#021411012
1/2 x 2	<b>0122</b>	\$189.50	\$246.80	\$347.90
3/4 x 2	<b>0342</b>	\$210.50	\$286.90	\$385.90
1 x 3	<b>0013</b>	\$231.60	\$353.60	\$537.70
1-1/2 x 3	<b>0053</b>	\$251.40	\$440.80	\$658.80
1-1/2 x 4	<b>0054</b>	\$251.40	\$500.50	\$729.60
2 x 4	<b>0024</b>	\$258.40	\$522.90	\$828.90
3 x 6	<b>0036</b>	\$337.80	\$560.30	\$1346.00
4 x 8	<b>0048</b>	\$534.20	\$672.30	\$1834.80
6 x 10	<b>0610</b>	\$746.00	\$1208.30	\$3030.70
8 x 12	<b>0812</b>	\$975.60	\$1792.90	\$5691.80

**90 Degree Elbow**



Sizes	size code	PPxPP	PVDFxPP	PVDFxPVDF
		#011733022	#021711011	#021411008
1/2 x 2	<b>0122</b>	\$210.50	\$260.20	\$373.20
3/4 x 2	<b>0342</b>	\$224.50	\$300.20	\$411.20
1 x 3	<b>0013</b>	\$245.60	\$366.90	\$626.20
1-1/2 x 3	<b>0053</b>	\$267.20	\$422.10	\$771.70
1-1/2 x 4	<b>0054</b>	\$275.00	\$492.80	\$885.50
2 x 4	<b>0024</b>	\$306.50	\$515.50	\$991.80
3 x 6	<b>0036</b>	\$416.40	\$784.40	\$1919.70
4 x 8	<b>0048</b>	\$589.30	\$1008.50	\$2621.10
6 x 10	<b>0610</b>	\$975.60	\$1948.80	\$4427.80
8 x 12	<b>0812</b>	\$1336.40	\$2884.20	\$6948.50

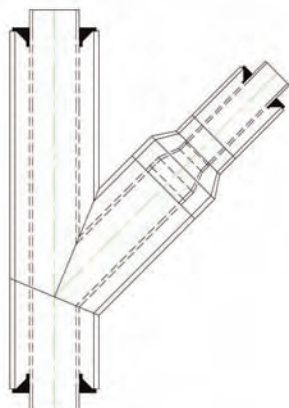
**45° Lateral Wyes**



Sizes	size code	PPxPP	PVDFxPP	PVDFxPVDF
		#011733040	#021711027	#021411024
1-1/2 x 3	<b>0053</b>	\$809.20	\$1195.30	\$1721.40
1-1/2 x 4	<b>0054</b>	\$840.70	\$1262.50	\$1856.00
2 x 4	<b>0024</b>	\$903.50	\$1296.10	\$1919.70
3 x 6	<b>0036</b>	\$935.00	\$1867.60	\$4800.00
4 x 8	<b>0048</b>	\$1044.90	\$2233.70	\$4852.50
6 x 10	<b>0610</b>	\$1303.60	\$3274.00	\$7355.00
8 x 12	<b>0812</b>	\$1926.60	\$4357.50	\$11753.30

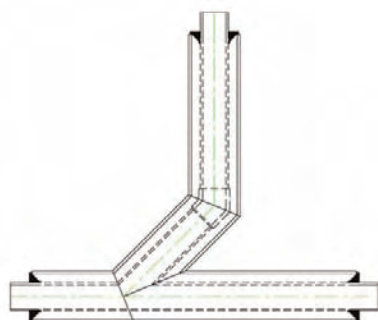
SEE PAGE 2 FOR STANDARD CFx2 MATERIAL DESCRIPTION FOR PPxPP, PVDFxPP, AND PVDFxPVDF

**Reducing Lateral Wyes**



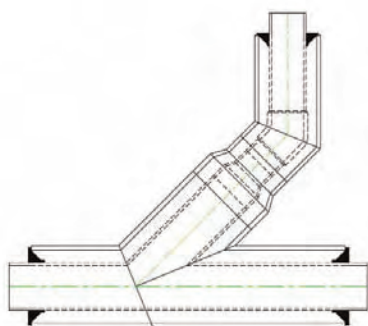
Size Inner	Size Outer	Size code	PPxPP	PVDFxPP	PVDFxPVDF
			#011733046	#021711031	#021411028
2x1-1/2	4x3	2543	\$997.80	\$1890.00	\$2826.60
3x1-1/2	6x3	3563	\$1005.60	\$2024.40	\$3046.10
3x2	6x4	3264	\$1005.60	\$2084.30	\$3117.00
4x1-1/2	8x3	4563	\$1037.10	\$2241.10	\$3457.30
4x2	8x4	4284	\$1060.70	\$2054.40	\$3931.60
4x3	8x6	4386	\$1186.30	\$2129.10	\$4321.20
6x2	10x4	6204	\$1393.70	\$3429.90	\$6357.10
6x3	10x6	6306	\$1582.30	\$3578.00	\$6793.30
6x4	10x8	6408	\$1680.70	\$3429.90	\$7089.00
8x2	12x4	8224	\$1697.00	\$3819.60	\$11531.50
8x3	12x6	8326	\$1639.70	\$3819.60	\$11531.50
8x4	12x8	8428	\$1680.70	\$4053.50	\$11864.20
8x6	12x10	8620	\$1680.70	\$4053.50	\$12566.40

**Combo Wye & 1/8 Bend**



Sizes	size code	PPxPP	PVDFxPP	PVDFxPVDF
		#011733052	#021711035	#021411032
1-1/2 x 3	0053	\$966.40	\$1531.40	\$2373.10
1-1/2 x 4	0054	\$997.80	\$1680.80	\$2585.70
2 x 4	0024	\$1115.70	\$1638.70	\$2762.80
3 x 6	0036	\$1264.90	\$2465.20	\$4888.00
4 x 8	0048	\$1453.50	\$2950.80	\$6694.40
6 x 10	0610	\$1926.60	\$4560.20	\$10311.80
8 x 12	0812	\$2508.70	\$6228.40	\$14776.60

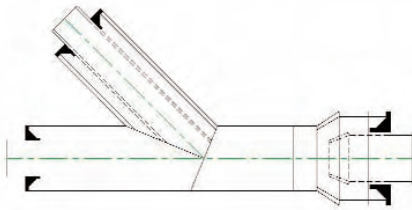
**Reducing Combo Wye & 1/8 Bend**



Size Inner	Size Outer	Size code	PPxPP	PVDFxPP	PVDFxPVDF
			#011733058	#021711039	#021411036
2x1-1/2	4x3	2543	\$926.00	\$2091.70	\$2939.90
3x1-1/2	6x3	3563	\$961.10	\$2166.40	\$3676.60
3x2	6x4	3264	\$996.10	\$2353.20	\$3896.20
4x1-1/2	8x3	4563	\$1087.40	\$2577.30	\$4533.80
4x2	8x4	4284	\$1073.40	\$2577.30	\$4746.30
4x3	8x6	4386	\$1339.90	\$2667.00	\$5660.20
6x2	10x4	6204	\$1361.50	\$3975.60	\$7236.80
6x3	10x6	6306	\$1720.20	\$4287.40	\$8242.10
6x4	10x8	6408	\$1771.40	\$4287.40	\$8863.00
8x2	12x4	8224	\$2147.90	\$4443.30	\$12566.40
8x3	12x6	8326	\$2213.60	\$4521.20	\$13157.80
8x4	12x8	8428	\$2500.50	\$4833.00	\$14044.80
8x6	12x10	8620	\$2623.50	\$5208.90	\$15523.20

**SEE PAGE 2 FOR STANDARD CFx2 MATERIAL DESCRIPTION FOR PPxPP, PVDFxPP, AND PVDFxPVDF**

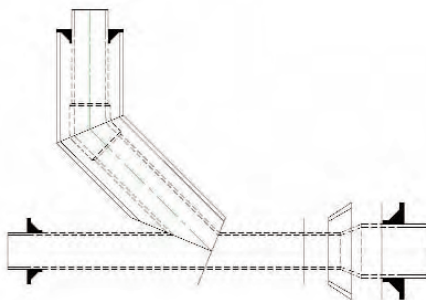
**Lateral Wyes w/ Downstream Increased Branch**



\*NOTE: Reducing wyes with downstream increased branch also available. POA

Size Inner	Size Outer	Size code	PPxPP #011733446	PVDFxPP #021711331	PVDFxPVDF #021411228
2x1-1/2	4x3	2543	\$1655.50	\$1963.60	\$2732.40
3x1-1/2	6x3	3563	\$1718.70	\$1963.60	\$2945.60
3x2	6x4	3264	\$1753.80	\$2102.40	\$3108.20
4x1-1/2	8x3	4563	\$1662.60	N/A	N/A
4x2	8x4	4284	\$2069.50	\$2288.60	\$3781.10
4x3	8x6	4386	\$2058.30	\$2890.00	\$5148.60
6x2	10x4	6204	\$2379.00	\$3821.90	\$5682.60
6x3	10x6	6306	\$2562.00	\$3880.90	\$7146.50
6x4	10x8	6408	\$2605.90	\$4106.40	\$8316.00
8x2	12x4	8224	N/A	N/A	N/A
8x3	12x6	8326	\$3499.00	\$4660.40	\$8107.40
8x4	12x8	8428	\$3367.20	\$4886.50	\$9484.20
8x6	12x10	8620	\$3030.50	N/A	N/A

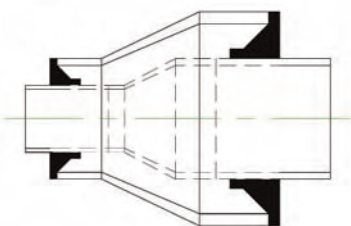
**Combo Wye & 1/8 Bend w/ Downstream Increased Branch**



\*NOTE: Reducing wyes with downstream increased branch also available. POA

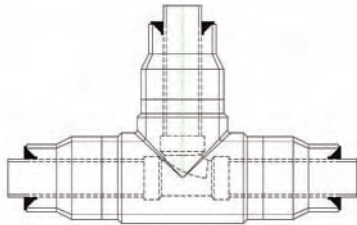
Size Inner	Size Outer	Size code	PPxPP #011733552	PVDFxPP #021711335	PVDFxPVDF #021411332
2x1-1/2	4x3	2543	\$1816.90	\$2299.80	\$3385.10
3x1-1/2	6x3	3563	\$1875.90	\$2299.80	\$3598.70
3x2	6x4	3264	\$1964.20	\$2445.30	\$3951.10
4x1-1/2	8x3	4563	\$1816.90	N/A	N/A
4x2	8x4	4284	\$2279.90	\$2631.20	\$4624.10
4x3	8x6	4386	\$2385.10	\$3487.70	\$6501.60
6x2	10x4	6204	\$2598.60	\$4178.80	\$6562.30
6x3	10x6	6306	\$2906.00	\$4504.50	\$8558.30
6x4	10x8	6408	\$3030.50	\$4854.70	\$10237.90
8x2	12x4	8224	N/A	N/A	N/A
8x3	12x6	8326	\$3843.00	\$5284.00	\$9519.30
8x4	12x8	8428	\$3791.80	\$5634.20	\$11406.10
8x6	12x10	8620	\$3652.70	N/A	N/A

**Concentric Reducers**



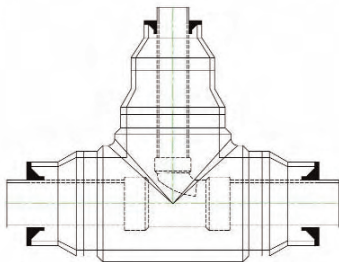
Size Inner	Size Outer	Size code	PPxPP #011733064	PVDFxPP #021711043	PVDFxPVDF #021411040
3/4x1/2	2x2	3412	\$273.60	\$333.50	\$379.50
1x1/2	3x2	0112	\$350.80	\$433.60	\$506.00
1x3/4	3x2	0134	\$350.80	\$433.60	\$506.00
2x1	4x3	2143	\$596.30	\$600.30	\$727.40
2x1-1/2	4x3	2543	\$707.10	\$635.00	\$885.50
3x1-1/2	6x3	3563	\$762.10	\$635.00	\$1098.00
3x2	6x4	3264	\$707.10	\$635.00	\$1062.60
4x1-1/2	8x3	4563	\$714.90	N/A	N/A
4x2	8x4	4284	\$1029.20	\$859.10	\$1735.60
4x3	8x6	4386	\$1013.60	\$889.00	\$1487.60
6x2	10x4	6204	\$1287.10	\$2330.80	\$3548.20
6x3	10x6	6306	\$1434.70	\$1792.90	\$3326.40
6x4	10x8	6408	\$1483.90	\$1637.00	\$3252.50
8x2	12x4	8224	N/A	N/A	N/A
8x3	12x6	8326	\$2377.50	\$2572.40	\$4287.40
8x4	12x8	8428	\$2131.60	\$2416.50	\$4287.40
8x6	12x10	8620	\$1582.30	N/A	N/A

**Sanitary Tee**



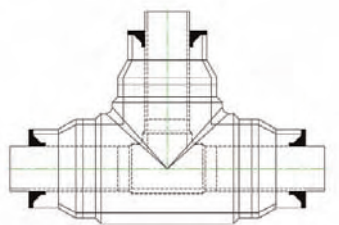
Sizes	size code	PPxPP	PVDFxPP	PVDFxPVDF
		#011733034	#021711023	#021411020
1-1/2 x 3	<b>0053</b>	\$1013.60	\$1187.80	\$1678.90
1-1/2 x 4	<b>0054</b>	\$1092.10	\$1247.60	\$1905.60
2 x 4	<b>0024</b>	\$1139.20	\$1307.30	\$1948.10
3 x 6	<b>0036</b>	\$1233.50	\$2017.00	\$3825.40
4 x 8	<b>0048</b>	\$1406.40	\$2278.50	\$4958.80
6 x 10	<b>0610</b>	\$2254.60	\$3196.00	\$7022.40
8 x 12	<b>0812</b>	\$2623.50	\$4287.40	\$11753.30

**Reducing Sanitary Tee**



Size Inner	Size Outer	Size code	PPxPP	PVDFxPP	PVDFxPVDF
			#011733334	#021711223	#021411220
2x1-1/2	4x3	<b>2543</b>	\$926.00	\$2091.70	\$2939.90
3x1-1/2	6x3	<b>3563</b>	\$961.10	\$2166.40	\$3676.60
3x2	6x4	<b>3264</b>	\$996.10	\$2353.20	\$3896.20
4x1-1/2	8x3	<b>4563</b>	\$1087.40	\$2577.30	\$4533.80
4x2	8x4	<b>4284</b>	\$1073.40	\$2577.30	\$4746.30
4x3	8x6	<b>4386</b>	\$1339.90	\$2667.00	\$5660.20
6x2	10x4	<b>6204</b>	\$1361.50	\$3975.60	\$7236.80
6x3	10x6	<b>6306</b>	\$1720.20	\$4287.40	\$8242.10
6x4	10x8	<b>6408</b>	\$1771.40	\$4287.40	\$8863.00
8x2	12x4	<b>8224</b>	\$2147.90	\$4443.30	\$12566.40
8x3	12x6	<b>8326</b>	\$2213.60	\$4521.20	\$13157.80
8x4	12x8	<b>8428</b>	\$2500.50	\$4833.00	\$14044.80
8x6	12x10	<b>8620</b>	\$2623.50	\$5183.80	\$15523.20

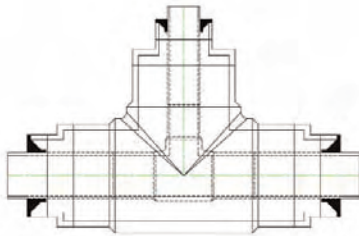
**Pressure Tee**



Sizes	size code	PPxPP	PVDFxPP	PVDFxPVDF
		#011733028	#021711019	#021411016
1/2 x 2	<b>0122</b>	\$806.80	\$833.80	\$1138.50
3/4 x 2	<b>0342</b>	\$834.80	\$867.10	\$1258.70
1 x 3	<b>0013</b>	\$912.00	\$1060.60	\$1511.70
1-1/2 x 3	<b>0053</b>	\$1013.60	\$1187.80	\$1678.90
1-1/2 x 4	<b>0054</b>	\$1092.10	\$1247.60	\$1905.60
2 x 4	<b>0024</b>	\$1139.20	\$1307.30	\$1948.10
3 x 6	<b>0036</b>	\$1233.50	\$2017.00	\$3825.40
4 x 8	<b>0048</b>	\$1406.40	\$2278.50	\$4958.80
6 x 10	<b>0610</b>	\$2254.60	\$3196.00	\$7022.40
8 x 12	<b>0812</b>	\$2623.50	\$4287.40	\$11753.30

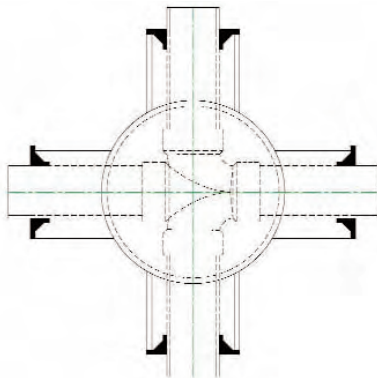
**SEE PAGE 2 FOR STANDARD CFx2 MATERIAL DESCRIPTION FOR PPxPP, PVDFxPP, AND PVDFxPVDF**

**Reducing Pressure Tee**



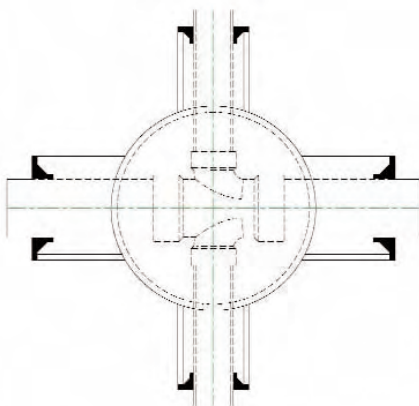
Size Inner	Size Outer	Size code	PPxPP	PVDFxPP	PVDFxPVDF
			#011733228	#021711114	#021411116
3/4x1/2	2x2	3412	\$834.80	\$1133.90	\$1511.70
1x1/2	3x2	0112	\$876.90	\$1300.70	\$1960.80
1x3/4	3x2	0134	\$891.00	\$1314.00	\$2055.70
2x1	4x3	2143	\$919.00	\$1667.50	\$2688.20
2x1-1/2	4x3	2543	\$926.00	\$2091.70	\$2939.90
3x1-1/2	6x3	3563	\$961.10	\$2166.40	\$3676.60
3x2	6x4	3264	\$996.10	\$2353.20	\$3896.20
4x1-1/2	8x3	4563	\$1087.40	\$2577.30	\$4533.80
4x2	8x4	4284	\$1073.40	\$2577.30	\$4746.30
4x3	8x6	4386	\$1339.90	\$2667.00	\$5660.20
6x2	10x4	6204	\$1361.50	\$3975.60	\$7236.80
6x3	10x6	6306	\$1720.20	\$4287.40	\$8242.10
6x4	10x8	6408	\$1771.40	\$4287.40	\$8863.00
8x2	12x4	8224	\$2147.90	\$4443.30	\$12566.40
8x3	12x6	8326	\$2213.60	\$4521.20	\$13157.80
8x4	12x8	8428	\$2500.50	\$4833.00	\$14044.80
8x6	12x10	8620	\$2623.50	\$4833.00	\$15523.20

**Double Sanitary Tee**



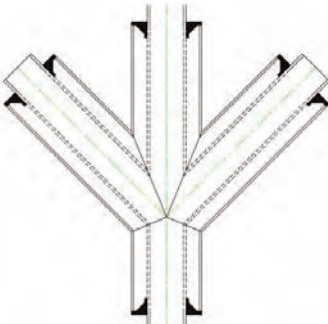
Sizes	size code	PPxPP	PVDFxPP	PVDFxPVDF
		#011733828	#021711919	#021411616
1-1/2 x 3	0053	\$2034.40	\$2374.50	\$3358.60
1-1/2 x 4	0054	\$2174.70	\$2494.60	\$3810.20
2 x 4	0024	\$2279.60	\$2614.60	\$3896.20
3 x 6	0036	\$2455.30	\$4035.40	\$7650.70
4 x 8	0048	\$2820.00	\$4570.30	\$9930.30
6 x 10	0610	\$4509.10	N/A	N/A
8 x 12	0812	\$5782.80	N/A	N/A

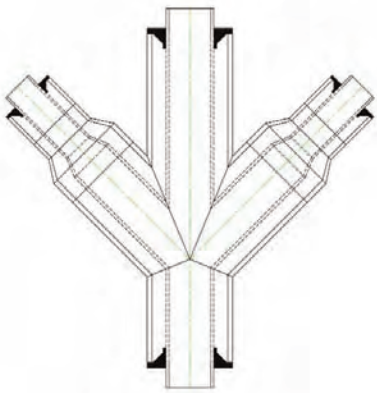
**Double Reducing Sanitary Tee**

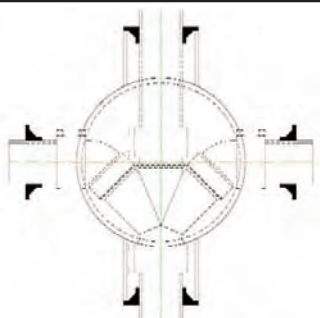


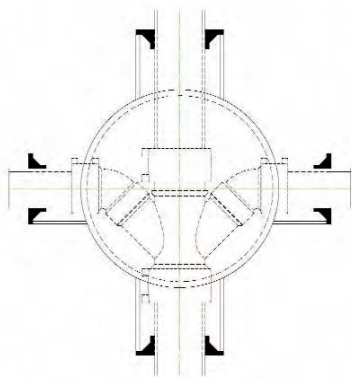
Size Inner	Size Outer	Size code	PPxPP	PVDFxPP	PVDFxPVDF
			#011733882	#021711999	#021411666
2x1-1/2	4x3	2543	\$1852.00	\$4183.40	\$5879.70
3x1-1/2	6x3	3563	\$1922.10	\$4332.80	\$7352.20
3x2	6x4	3264	\$1992.30	\$4706.40	\$7792.40
4x1-1/2	8x3	4563	\$2174.70	\$5154.60	\$9750.60
4x2	8x4	4284	\$2174.70	\$5154.60	\$10056.80
4x3	8x6	4386	\$2679.70	\$5333.30	\$10056.80
6x2	10x4	6204	\$2723.00	N/A	N/A
6x3	10x6	6306	\$3440.40	N/A	N/A
6x4	10x8	6408	\$3542.90	N/A	N/A
8x2	12x4	8224	\$4296.80	N/A	N/A
8x3	12x6	8326	\$4428.60	N/A	N/A
8x4	12x8	8428	\$5001.00	N/A	N/A
8x6	12x10	8620	\$5299.70	N/A	N/A

SEE PAGE 2 FOR STANDARD CFx2 MATERIAL DESCRIPTION FOR PPxPP, PVDFxPP, AND PVDFxPVDF

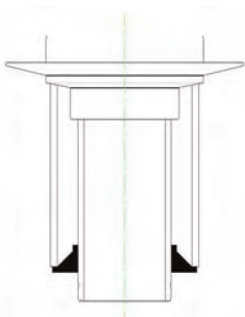
Double Lateral Wye					
	Sizes	size code	PPxPP #011733440	PVDFxPP #021711227	PVDFxPVDF #021411224
	1-1/2 x 3	0053	\$1313.60	\$1996.10	\$2874.70
	1-1/2 x 4	0054	\$1404.00	\$2108.40	\$3099.60
	2 x 4	0024	\$1508.90	\$2164.60	\$3206.00
	3 x 6	0036	\$1561.40	\$3118.90	\$5903.30
	4 x 8	0048	\$1745.10	\$3730.20	\$8103.70
	6 x 10	0610	\$2177.00	\$5467.50	\$12282.90
	8 x 12	0812	\$3217.50	\$7277.00	\$19628.00

Reducing Double Lateral Wye						
	Size Inner	Size Outer	Size code	PPxPP #011733646	PVDFxPP #021711131	PVDFxPVDF #021411828
	2x1-1/2	4x3	2543	\$1666.40	\$3156.40	\$4720.30
	3x1-1/2	6x3	3563	\$1679.50	\$3380.80	\$5087.10
	3x2	6x4	3264	\$1679.50	\$3480.70	\$5205.30
	4x1-1/2	8x3	4563	\$1731.90	\$3742.60	\$5773.60
	4x2	8x4	4284	\$1771.30	\$3430.80	\$6565.80
	4x3	8x6	4386	\$1981.30	\$3555.50	\$7216.40
	6x2	10x4	6204	\$2327.50	\$5728.00	\$10616.40
	6x3	10x6	6306	\$2642.40	\$5975.30	\$11344.70
	6x4	10x8	6408	\$2806.70	\$5728.00	\$11838.50
	8x2	12x4	8224	\$2834.10	\$6378.80	\$19257.60
	8x3	12x6	8326	\$2738.30	\$6378.80	\$19257.60
	8x4	12x8	8428	\$2806.70	\$6769.30	\$19813.20
	8x6	12x10	8620	\$2806.70	\$6769.30	\$20985.90

Double Combo Wye & 1/8 Bend					
	Sizes	size code	PPxPP #011733252	PVDFxPP #021711535	PVDFxPVDF #021411232
	1-1/2 x 3	0053	\$1929.20	\$3061.60	\$4743.80
	1-1/2 x 4	0054	\$1999.30	\$3368.40	\$5173.90
	2 x 4	0024	\$2237.80	\$3275.00	\$5534.40
	3 x 6	0036	\$2525.40	\$4929.20	\$9772.20
	4 x 8	0048	\$2911.30	\$5903.00	\$10689.30
	6 x 10	0610	\$3879.60	\$9117.60	N/A
	8 x 12	0812	\$5014.20	\$10440.00	N/A

Double Reducing Combo Wye & 1/8 Bend						
	Size Inner	Size Outer	Size code	PPxPP #011733858	PVDFxPP #021711939	PVDFxPVDF #021411636
	2x1-1/2	4x3	2543	\$1859.00	\$4182.10	\$5882.30
	3x1-1/2	6x3	3563	\$1929.20	\$4335.50	\$3738.70
	3x2	6x4	3264	\$1999.30	\$4702.40	\$7792.40
	4x1-1/2	8x3	4563	\$2174.70	\$5156.00	\$9063.80
	4x2	8x4	4284	\$2174.70	\$5156.00	\$9487.50
	4x3	8x6	4386	\$2679.70	\$5333.30	\$11321.80
	6x2	10x4	6204	\$2818.20	N/A	N/A
	6x3	10x6	6306	\$3440.40	N/A	N/A
	6x4	10x8	6408	\$3550.20	N/A	N/A
	8x2	12x4	8224	\$4318.80	N/A	N/A
	8x3	12x6	8326	\$4428.60	N/A	N/A
	8x4	12x8	8428	\$5014.20	N/A	N/A
	8x6	12x10	8620	\$5248.40	N/A	N/A

**Adjustable Floor Drains w/ Glass-Filled PP Cover (Rated to 10,000 lb. Direct Load)**



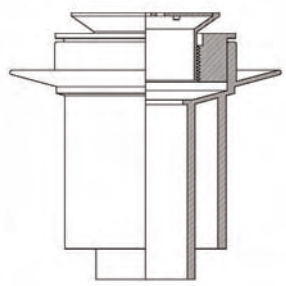
Sizes	size code	PPxPP	PVDFxPP	PVDFxPVDF
		#011733132	#021711087	#021711084
1-1/2 x 3	0053	\$801.80	\$1120.60**	\$1062.60
1-1/2 x 4	0054	\$809.20	\$1187.80**	\$1126.40
2 x 4	0024	\$840.70	\$1307.30**	\$1239.70
3 x 6	0036	\$927.10	\$1643.50**	\$1356.10
4 x 8	0048	\$1170.70	\$2532.50**	\$1771.00
6 x 10	0610	\$1393.70	POA	POA

\*\*Includes One Termination Fitting

**Floor Drain Accessories**

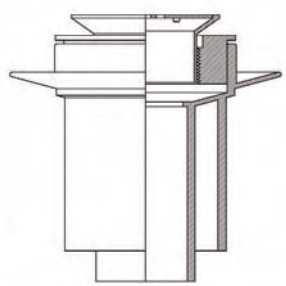
Description	Part #	Price	Description	Part #	Price
Funnel - 4 x 8	81304865	\$73.90	Flashing Clamp	01300068	\$58.30
1/2" Trap Primer F.I.P.	71705066	\$55.70	Vandal Proofing	000000VP	\$85.00
Sediment Bucket	01300067	\$75.10	Solid Cover	01300069	\$94.90

**Adjustable Stainless Steel Floor Drains w/ 5" Round Strainer**



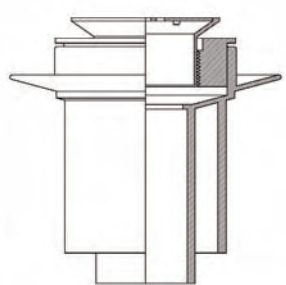
Sizes	size code	PPxPP	PVDFxPP	PVDFxPVDF
		#011733555	#021711555	#021411555
1-1/2 x 3	0053	\$1332.90	\$1625.90	\$1541.80
1-1/2 x 4	0054	\$1340.70	\$1693.10	\$1605.60
2 x 4	0024	\$1372.10	\$1812.60	\$1718.90
3 x 6	0036	\$1499.50	\$2187.80	\$1872.20
4 x 8	0048	\$1791.70	\$3123.00	\$2330.90
6 x 10	0610	\$2209.20	POA	POA
8 x 12	0812	POA	POA	POA

**Adjustable Stainless Steel Floor Drains w/ 6" Round Strainer**



Sizes	size code	PPxPP	PVDFxPP	PVDFxPVDF
		#011733666	#021711666	#021411666
1-1/2 x 3	0053	\$1403.00	\$1692.60	\$1605.00
1-1/2 x 4	0054	\$1410.10	\$1704.00	\$1612.20
2 x 4	0024	\$1442.30	\$1879.30	\$1782.10
3 x 6	0036	\$1569.70	\$2254.50	\$1935.50
4 x 8	0048	\$1861.80	\$3189.70	\$2394.20
6 x 10	0610	\$2282.40	POA	POA
8 x 12	0812	POA	POA	POA

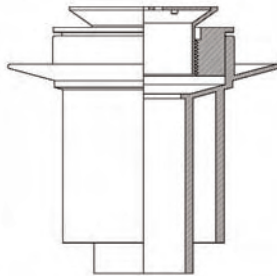
**Adjustable Stainless Steel Floor Drains w/ 8" Round Strainer**



Sizes	size code	PPxPP	PVDFxPP	PVDFxPVDF
		#011733888	#021711888	#021411888
1-1/2 x 3	0053	\$1473.20	\$1759.30	\$1668.30
1-1/2 x 4	0054	\$1480.20	\$1825.70	\$1731.30
2 x 4	0024	\$1512.40	\$1946.00	\$1845.40
3 x 6	0036	\$1639.80	\$2254.50	\$1998.70
4 x 8	0048	\$1932.00	\$3256.40	\$2470.10
6 x 10	0610	\$2355.60	POA	POA
8 x 12	0812	POA	POA	POA

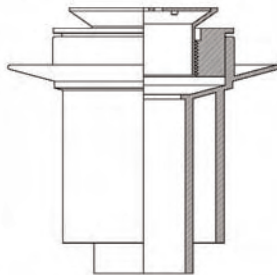
SEE PAGE 2 FOR STANDARD CFx2 MATERIAL DESCRIPTION FOR PPxPP, PVDFxPP, AND PVDFxPVDF

**Adjustable Stainless Steel Floor Drains w/ 5" Square Strainer**



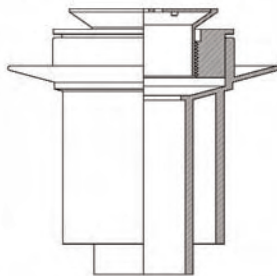
Sizes	size code	PPxPP	PVDFxPP	PVDFxPVDF
		#011733550	#021711550	#021411550
1-1/2 x 3	<b>0053</b>	\$1332.90	\$1625.90	\$1541.80
1-1/2 x 4	<b>0054</b>	\$1340.70	\$1693.10	\$1605.60
2 x 4	<b>0024</b>	\$1372.10	\$1812.60	\$1718.90
3 x 6	<b>0036</b>	\$1499.50	\$2187.80	\$1872.20
4 x 8	<b>0048</b>	\$1791.70	\$3123.00	\$2330.90
6 x 10	<b>0610</b>	\$2029.20	POA	POA
8 x 12	<b>0812</b>	POA	POA	POA

**Adjustable Stainless Steel Floor Drains w/ 6" Square Strainer**



Sizes	size code	PPxPP	PVDFxPP	PVDFxPVDF
		#011733660	#021711660	#021411660
1-1/2 x 3	<b>0053</b>	\$1403.00	\$1692.60	\$1605.00
1-1/2 x 4	<b>0054</b>	\$1410.10	\$1704.00	\$1612.20
2 x 4	<b>0024</b>	\$1442.30	\$1879.30	\$1782.10
3 x 6	<b>0036</b>	\$1569.70	\$2254.50	\$1935.50
4 x 8	<b>0048</b>	\$1861.80	\$3189.70	\$2394.20
6 x 10	<b>0610</b>	\$2282.40	POA	POA
8 x 12	<b>0812</b>	POA	POA	POA

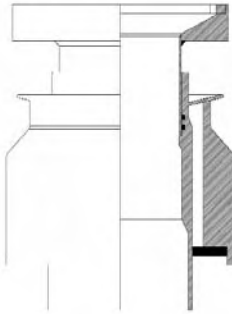
**Adjustable Stainless Steel Floor Drains w/ 8" Square Strainer**



Sizes	size code	PPxPP	PVDFxPP	PVDFxPVDF
		#011733880	#021711880	#021411880
1-1/2 x 3	<b>0053</b>	\$1473.20	\$1759.30	\$1668.30
1-1/2 x 4	<b>0054</b>	\$1480.20	\$1825.70	\$1731.30
2 x 4	<b>0024</b>	\$1512.40	\$1946.00	\$1845.40
3 x 6	<b>0036</b>	\$1639.80	\$2254.50	\$1998.70
4 x 8	<b>0048</b>	\$1932.00	\$3256.40	\$2470.10
6 x 10	<b>0610</b>	\$2355.60	POA	POA
8 x 12	<b>0812</b>	POA	POA	POA

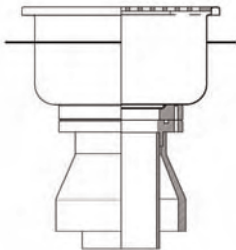
SEE PAGE 2 FOR STANDARD CFx2 MATERIAL DESCRIPTION FOR PPxPP, PVDFxPP, AND PVDFxPVDF

**Adjustable Stainless Steel Floor Drains w/ 12" Round Strainer**



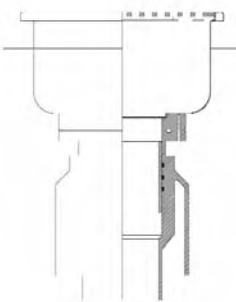
Sizes	size code	PPxPP	PVDFxPP	PVDFxPVDF
		#011733120	#021711120	#021411120
1-1/2 x 3	<b>0053</b>	\$4202.00	\$4368.90	\$4142.90
1-1/2 x 4	<b>0054</b>	\$4202.00	\$4415.50	\$4187.20
2 x 4	<b>0024</b>	\$4202.00	\$4502.30	\$4269.40
3 x 6	<b>0036</b>	\$4202.00	\$4702.40	\$4459.20
4 x 8	<b>0048</b>	\$4202.00	\$5416.00	\$4996.80
6 x 10	<b>0610</b>	\$5848.70	POA	POA
8 x 12	<b>0812</b>	POA	POA	POA

**Stainless Steel Floor Sinks w/ Non-Adjustable Outlet**



Sizes	size code	PPxPP		PVDFxPP		PVDFxPVDF	
		12x12x6	12x12x8	12x12x6	12x12x8	12x12x6	12x12x8
		#011733621	#011733821	#021711621	#021711821	#021411621	#021411821
1-1/2 x 3	<b>0053</b>	\$3079.60	\$3219.90	\$3301.70	\$3435.10	\$3130.90	\$3257.40
1-1/2 x 4	<b>0054</b>	\$3079.60	\$3219.90	\$3368.40	\$3501.80	\$3194.20	\$3320.70
2 x 4	<b>0024</b>	\$3079.60	\$3219.90	\$3435.10	\$3568.50	\$3257.40	\$3383.90
3 x 6	<b>0036</b>	\$3219.90	\$3360.20	\$3768.60	\$3902.00	\$3573.70	\$3700.20
4 x 8	<b>0048</b>	\$3360.20	\$3500.50	\$4615.60	\$4749.00	\$4237.80	\$4364.30
6 x 10	<b>0610</b>	\$4026.00	\$4172.40	POA	POA	POA	POA
8 x 12	<b>0812</b>	POA	POA	POA	POA	POA	POA

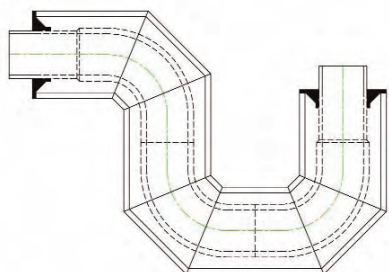
**Stainless Steel Floor Sinks w/ Adjustable Outlet**



Sizes	size code	PPxPP		PVDFxPP		PVDFxPVDF	
		12x12x6	12x12x8	12x12x6	12x12x8	12x12x6	12x12x8
		#011733620	#011733820	#021711620	#021711820	#021411620	#021411820
1-1/2 x 3	<b>0053</b>	\$3781.10	\$3921.40	\$3968.70	\$4102.10	\$3763.40	\$3889.90
1-1/2 x 4	<b>0054</b>	\$3781.10	\$3921.40	\$4035.40	\$4168.80	\$3826.70	\$3953.20
2 x 4	<b>0024</b>	\$3781.10	\$3921.40	\$4102.10	\$4235.50	\$3889.90	\$4016.40
3 x 6	<b>0036</b>	\$3921.40	\$4061.70	\$4435.60	\$4569.00	\$4206.20	\$4332.70
4 x 8	<b>0048</b>	\$4061.70	\$4202.00	\$5282.60	\$5416.00	\$4870.30	\$4996.80
6 x 10	<b>0610</b>	\$4758.00	\$4904.40	POA	POA	POA	POA
8 x 12	<b>0812</b>	POA	POA	POA	POA	POA	POA

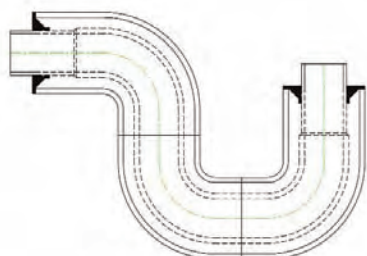
SEE PAGE 2 FOR STANDARD CFx2 MATERIAL DESCRIPTION FOR PPxPP, PVDFxPP, AND PVDFxPVDF

**Standard P-Traps**



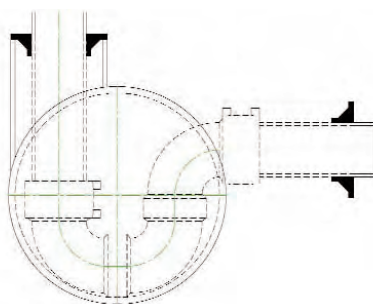
Sizes	size code	PPxPP	PVDFxPP	PVDFxPVDF
		#011733388	#021711359	#021411356
1-1/2 x 3	<b>0053</b>	\$872.10	\$1120.60	\$2196.00
1-1/2 x 4	<b>0054</b>	\$887.80	\$1234.00	\$2337.70
2 x 4	<b>0024</b>	\$982.10	\$1486.70	\$2479.40
3 x 6	<b>0036</b>	\$1296.40	\$2278.50	\$4958.80
4 x 8	<b>0048</b>	\$1807.10	\$2980.70	\$5950.60
6 x 10	<b>0610</b>	\$2336.50	\$5456.60	\$11088.00
8 x 12	<b>0812</b>	\$3271.20	\$7787.40	POA

**Short Pattern P-Traps**



Sizes	size code	PPxPP	PVDFxPP	PVDFxPVDF
		#011733088	#021711054	#021411056
1-1/2 x 3	<b>0053</b>	\$872.10	\$1120.60	\$2196.00
1-1/2 x 4	<b>0054</b>	\$887.80	\$1234.00	\$2337.70
2 x 4	<b>0024</b>	\$982.10	\$1486.70	\$2479.40
3 x 6	<b>0036</b>	\$1490.70	\$2620.00	\$5702.60
4 x 8	<b>0048</b>	\$2078.10	\$3427.10	\$6843.70
6 x 10	<b>0610</b>	\$2687.10	\$6275.10	\$12751.20
8 x 12	<b>0812</b>	\$3753.70	\$8954.70	N/A

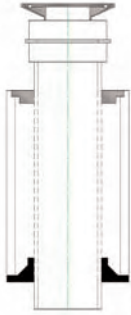
**Ultra Short Pattern P-Trap in Drum-Style Housing**



Sizes	size code	PPxPP	PVDFxPP	PVDFxPVDF
		#011733876	#021711876	#021411876
1-1/2 x 3	<b>0053</b>	\$1136.40	\$1367.40	\$2858.90
1-1/2 x 4	<b>0054</b>	\$1157.50	\$1487.50	\$3036.00
2 x 4	<b>0024</b>	\$1276.70	\$1767.60	\$3225.80
3 x 6	<b>0036</b>	\$1929.20	\$3034.90	\$7412.90
4 x 8	<b>0048</b>	\$2700.80	\$4022.10	\$8899.30
6 x 10	<b>0610</b>	\$3491.60	\$7043.50	N/A
8 x 12	<b>0812</b>	\$4879.50	\$10022.40	N/A

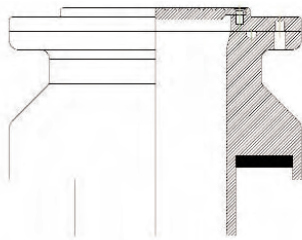
**SEE PAGE 2 FOR STANDARD CFx2 MATERIAL DESCRIPTION FOR PPxPP, PVDFxPP, AND PVDFxPVDF**

**Adjustable Stainless Steel Clean Out with Plug**



Sizes	size code	PPxPP	PVDFxPP	PVDFxPVDF
		#011733222	#021711222	#021411222
1-1/2 x 3	<b>0053</b>	\$975.10	\$1200.60	\$1581.30
1-1/2 x 4	<b>0054</b>	\$975.10	\$1200.60	\$1707.80
2 x 4	<b>0024</b>	\$975.10	\$1234.00	\$1853.30
3 x 6	<b>0036</b>	\$1087.40	\$1667.50	\$1897.50
4 x 8	<b>0048</b>	\$1192.60	\$2334.50	\$2523.70

**Non-Adjustable Stainless Steel Clean Out with Plug for Pharmaceutical Finished Floor**



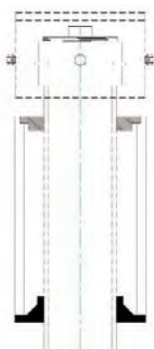
Sizes	size code	PPxPP	PVDFxPP	PVDFxPVDF
		#011733432	#021711432	#021411432
1-1/2 x 3	<b>0053</b>	\$1543.30	\$2261.20	\$2846.30
1-1/2 x 4	<b>0054</b>	\$1613.50	\$2467.90	\$3478.80
2 x 4	<b>0024</b>	\$1676.60	\$2834.80	\$4427.50
3 x 6	<b>0036</b>	\$2104.50	\$3195.00	\$5376.30
4 x 8	<b>0048</b>	\$2595.60	\$3535.10	N/A
6 x 10	<b>0610</b>	\$3294.00	N/A	N/A

**Adjustable Stainless Steel Clean Out with Plug for Pharmaceutical Finished Floor**



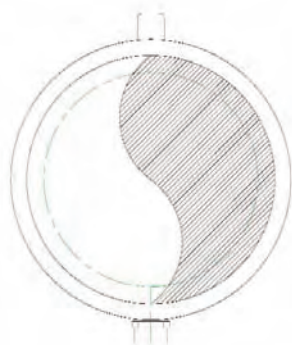
Sizes	size code	PPxPP	PVDFxPP	PVDFxPVDF
		#011733543	#021711543	#021411543
1-1/2 x 3	<b>0053</b>	\$1613.50	\$2334.50	\$3162.50
1-1/2 x 4	<b>0054</b>	\$1676.60	\$2528.00	\$3788.70
2 x 4	<b>0024</b>	\$1753.80	\$2868.10	\$4743.80
3 x 6	<b>0036</b>	\$2174.70	\$3268.30	\$5692.50
4 x 8	<b>0048</b>	\$2658.70	\$3728.60	N/A
6 x 10	<b>0610</b>	\$3359.90	N/A	N/A

**Clean Outs with Plugs, with and without Nickel-Bronze Finished Cover**



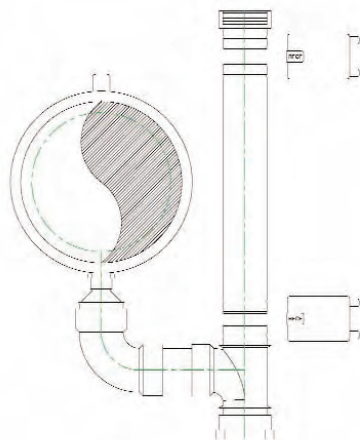
Sizes	size code	PPxPP		PVDFxPP		PVDFxPVDF	
		With	Without	With	Without	With	Without
		#011733105	#011733115	#021711071	#021711171	#021411068	#021411168
1-1/2 x 3	<b>0053</b>	\$1017.20	\$561.20	\$1327.40	\$913.80	\$1764.70	\$1372.60
1-1/2 x 4	<b>0054</b>	\$1017.20	\$561.20	\$1367.40	\$947.10	\$1834.30	\$1442.10
2 x 4	<b>0024</b>	\$1017.20	\$561.20	\$1387.40	\$967.20	\$1929.20	\$1511.70
3 x 6	<b>0036</b>	\$1157.50	\$701.50	\$2034.40	\$1600.80	\$2017.70	\$1612.90
4 x 8	<b>0048</b>	\$1276.70	\$813.70	\$3195.00	\$2768.10	\$2397.20	\$1992.40
6 x 10	<b>0610</b>	N/A	\$1076.00	N/A	\$3041.50	N/A	\$2765.40

SEE PAGE 2 FOR STANDARD CFx2 MATERIAL DESCRIPTION FOR PPxPP, PVDFxPP, AND PVDFxPVDF



Closure Coupling with Leak Detection Port			
Sizes	size code	PP	PVDF
		#334590000	#114590000
2	<b>0053</b>	\$350.80	\$506.00
3	<b>0054</b>	\$350.80	\$506.00
4	<b>0024</b>	\$413.90	\$759.00
6	<b>0036</b>	\$453.80	\$1009.80
8	<b>0048</b>	\$534.40	\$1320.00
10	<b>0610</b>	\$622.20	POA
12	<b>0812</b>	\$724.70	POA

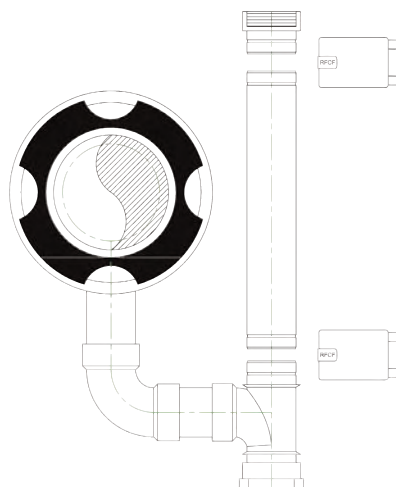
**Closure Coupling with Leak Detection Sump Assembly**



Sizes	size code	PPxPP	PVDFxPP	PVDFxPVDF
		#011733459	#021711459	#021411459
1/2 x 2	<b>0122</b>	\$554.20	\$567.00	\$1075.30
3/4 x 2	<b>0342</b>	\$558.40	\$600.30	\$1138.50
1 x 3	<b>0013</b>	\$694.50	\$733.70	\$1391.50
1-1/2 x 3	<b>0053</b>	\$694.50	\$793.80	\$1511.70
1-1/2 x 4	<b>0054</b>	\$750.70	\$847.10	\$1606.60
2 x 4	<b>0024</b>	\$771.70	\$913.80	\$1854.50
3 x 6	<b>0036</b>	\$834.80	\$999.20	\$1897.50
4 x 8	<b>0048</b>	\$975.10	\$1327.40	\$2270.70
6 x 10	<b>0610</b>	\$1098.00	\$1740.00	\$3300.00
8 x 12	<b>0812</b>	\$1310.30	\$2777.00	\$4818.00

\*NOTE: Riser size is 2" Sch. 40 for all sizes. Five feet of pipe is shipped loose with (2) 2" Rionfuse CF Couplings.

**Leak Detection Access Sump for Probes**

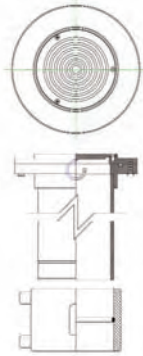


Sizes	size code	PPxPP	PVDFxPP	PVDFxPVDF
		#011733111	#021711075	#021411072
1/2 x 2	<b>0122</b>	\$554.20	\$567.00	\$1075.30
3/4 x 2	<b>0342</b>	\$558.40	\$600.30	\$1138.50
1 x 3	<b>0013</b>	\$694.50	\$733.70	\$1391.50
1-1/2 x 3	<b>0053</b>	\$694.50	\$793.80	\$1511.70
1-1/2 x 4	<b>0054</b>	\$750.70	\$847.10	\$1606.60
2 x 4	<b>0024</b>	\$771.70	\$913.80	\$1854.50
3 x 6	<b>0036</b>	\$834.80	\$999.80	\$1897.50
4 x 8	<b>0048</b>	\$975.10	\$1327.40	\$2270.70
6 x 10	<b>0610</b>	\$1098.00	\$1740.00	\$3300.00
8 x 12	<b>0812</b>	\$1310.30	\$2777.00	\$4818.00

\*NOTE: Riser size is 2" Sch. 40 for all sizes. Five feet of pipe is shipped loose with (2) 2" Rionfuse CF Couplings.

**SEE PAGE 2 FOR STANDARD CFx2 MATERIAL DESCRIPTION FOR PPxPP, PVDFxPP, AND PVDFxPVDF**

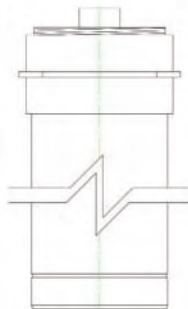
**Leak Detection Cable Access Cover and Riser for Floor Penetration (Single Outlet)**



Sizes	size code	PP Outlet	PVDF Outlet
		#011733789	#021411789
1-1/2 x 3	<b>0053</b>	\$771.70	\$1897.50
1-1/2 x 4	<b>0054</b>	\$834.80	\$2118.90
2 x 4	<b>0024</b>	\$834.80	\$2118.90
3 x 6	<b>0036</b>	\$834.80	\$2118.90
4 x 8	<b>0048</b>	\$834.80	\$2118.90
6 x 10	<b>0610</b>	\$871.10	\$2211.00
8 x 12	<b>0812</b>	\$871.10	\$2211.00

\*NOTE: Riser size = 4", except for 1-1/2 x 3, in which case riser size will be 3".

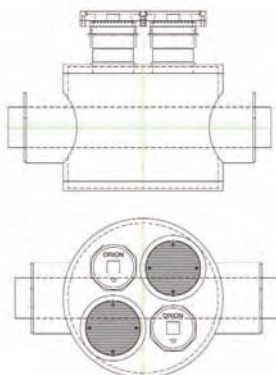
**Leak Detection Manual Access Port and Riser (Single Outlet)**



Sizes	size code	PP Outlet	PVDF Outlet
		#011733678	#021411678
1-1/2 x 3	<b>0053</b>	\$315.70	\$499.70
1-1/2 x 4	<b>0054</b>	\$413.90	\$588.30
2 x 4	<b>0024</b>	\$413.90	\$588.30
3 x 6	<b>0036</b>	\$413.90	\$588.30
4 x 8	<b>0048</b>	\$413.90	\$588.30
6 x 10	<b>0610</b>	\$431.90	\$613.80
8 x 12	<b>0812</b>	\$431.90	\$613.80

\*NOTE: Riser size = 4", except for 1-1/2 x 3, in which case riser size will be 3".

**Leak Detection Access Sump for Leak Detection Cable (PP Housing)**



Sizes	size code	PP Carrier	PVDF Carrier
		#011733600	#021711600
1-1/2 x 3	<b>0053</b>	\$596.30	\$822.30
1-1/2 x 4	<b>0054</b>	\$631.40	\$853.90
2 x 4	<b>0024</b>	\$771.70	\$948.80
3 x 6	<b>0036</b>	\$1115.40	\$1201.80
4 x 8	<b>0048</b>	\$1396.00	\$1518.00
6 x 10	<b>0610</b>	\$2335.10	\$2970.00
8 x 12	<b>0812</b>	\$3660.00	\$3953.40

\*NOTE: Base price above does not include risers. Riser pricing must be added based on number and type according to the two tables at top of this page. Other fittings can also be contained within this style of housing. Contact Orion Fittings for details. PVDF housing available up to 2 x 4 size only at an extra cost.

**SEE PAGE 2 FOR STANDARD CFx2 MATERIAL DESCRIPTION FOR PPxPP, PVDFxPP, AND PVDFxPVDF**

## Fusion Equipment

Electrofusion Equipment and Accessories		
Description	Part #	Price Each
Rionfuser™ Electrofusion Unit Includes Power Unit, jumper cable, and instruction manual	RFUSE00001	\$5021.50
Jumper Cables	JPC0000001	\$ 82.50

Leak Detection Systems and Components		
Description	Part #	Price Each
Float Sensor Assembly (incl. junction box)	FSA-1	\$1644.50
2-Station Alarm Panel	2-2-480	\$2035.00
4-Station Alarm Panel	4-2-480	\$6094.00
Multi-Station Alarm Panel		\$7260.00
Leak Detection Cable	AWG8017705	\$25.30 per foot
Leak Detection Jumper Cable	JMP-U8017715	\$5.50 per foot
Connector for L.D. Cable	CATFHG	\$162.80 each
Connector for Jumper Cable	CASTD	\$66.00 each
Cord Grips	GRPJ	\$82.50 each
Alarm Panel	AT20K	\$16445.00 each

SEE PAGE 2 FOR STANDARD CFx2 MATERIAL DESCRIPTION FOR PPxPP, PVDFxPP, AND PVDFxPVDF

# CF X 2™ Fitting Extension Prices

In special cases where the standard dimensions need to be factory modified, Orion Fittings can manufacture special factory fabrications or add extensions to fittings. Pricing for factory modified fittings with standard even-length extensions are shown below.

Fitting Extensions (Factory Assembled) for PPxPP Fittings (see pg. 18 for illustration)							
Sizes	size code	1 FT.	2 FT.	3 FT.	4 FT.	5 FT.	6 FT.
		#33EXT1	#33EXT2	#33EXT3	#33EXT4	#33EXT5	#33EXT6
1/2 x 2	0122	\$61.00	\$74.40	\$87.70	\$101.00	\$114.30	\$127.70
3/4 x 2	0342	\$71.60	\$88.50	\$105.30	\$122.10	\$139.00	\$155.80
1 x 3	0013	\$87.20	\$116.30	\$145.30	\$166.40	\$187.40	\$208.50
1-1/2 x 3	0153	\$122.60	\$163.50	\$204.20	\$227.40	\$250.60	\$273.80
1-1/2 x 4	0154	\$132.00	\$175.90	\$220.00	\$243.90	\$267.70	\$291.60
2 x 4	0024	\$134.40	\$179.20	\$223.90	\$248.50	\$273.00	\$297.60
3 x 6	0036	\$222.80	\$297.10	\$371.20	\$420.30	\$469.50	\$518.50
4 x 8	0048	\$275.70	\$327.60	\$379.50	\$431.40	\$483.40	\$535.20
6 x 10	0610	\$319.90	\$405.50	\$491.20	\$576.80	\$662.50	\$748.10
8 x 12	0812	\$357.20	\$483.90	\$610.50	\$737.10	\$863.80	\$990.40

Fitting Extensions (Factory Assembled) for PVDFxPP Fittings (see pg. 18 for illustration)							
Sizes	size code	1 FT.	2 FT.	3 FT.	4 FT.	5 FT.	6 FT.
		#55EXT1	#55EXT2	#55EXT3	#55EXT4	#55EXT5	#55EXT6
1/2 x 2	0122	\$105.10	\$133.40	\$161.70	\$190.10	\$218.40	\$246.80
3/4 x 2	0342	\$114.00	\$145.50	\$176.80	\$208.10	\$239.40	\$270.90
1 x 3	0013	\$198.10	\$257.50	\$316.80	\$376.20	\$435.60	\$495.00
1-1/2 x 3	0153	\$231.10	\$302.50	\$373.90	\$445.20	\$516.50	\$588.00
1-1/2 x 4	0154	\$260.20	\$333.50	\$406.90	\$480.20	\$553.70	\$627.00
2 x 4	0024	\$300.80	\$386.90	\$473.60	\$560.30	\$647.00	\$733.70
3 x 6	0036	\$348.80	\$471.00	\$593.00	\$715.00	\$837.10	\$959.20
4 x 8	0048	\$397.50	\$577.70	\$757.70	\$937.90	\$1117.90	\$1298.00
6 x 10	0610	\$703.00	\$1071.80	\$1440.70	\$1809.60	\$2178.50	\$2547.40
8 x 12	0812	\$1042.60	\$1613.30	\$2184.00	\$2754.80	\$3325.50	\$3896.20

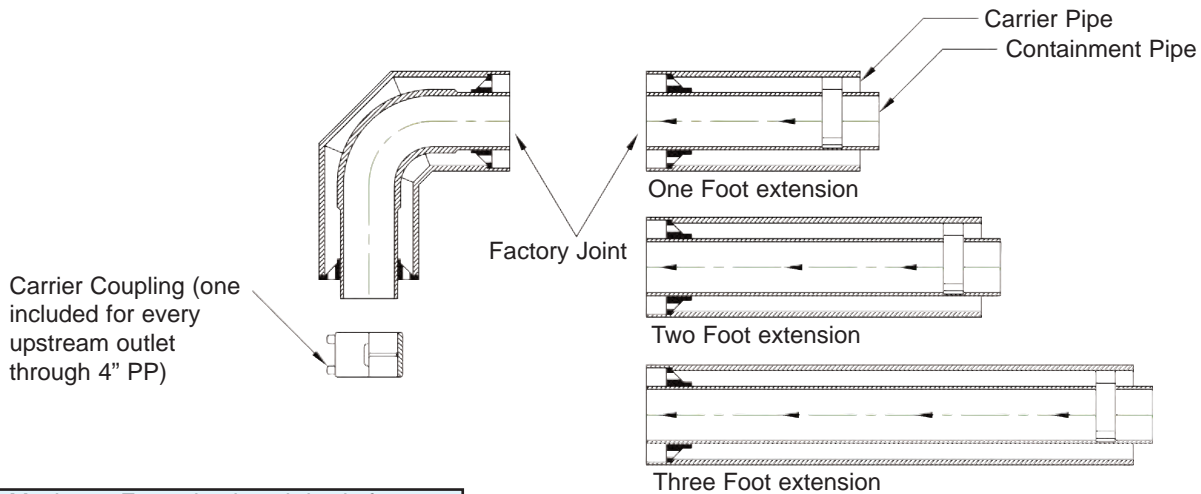
Fitting Extensions (Factory Assembled) for PVDFxPVDF Fittings (see pg. 18 for illustration)							
Sizes	size code	1 FT.	2 FT.	3 FT.	4 FT.	5 FT.	6 FT.
		#66EXT1	#66EXT2	#66EXT3	#66EXT4	#66EXT5	#66EXT6
1/2 x 2	0122	\$280.80	\$365.60	\$450.30	\$535.20	\$619.90	\$704.70
3/4 x 2	0342	\$284.70	\$372.60	\$460.50	\$548.40	\$636.40	\$724.20
1 x 3	0013	\$315.60	\$435.20	\$554.70	\$674.30	\$793.80	\$913.30
1-1/2 x 3	0153	\$338.40	\$487.10	\$635.70	\$784.30	\$932.90	\$1081.60
1-1/2 x 4	0154	\$375.80	\$561.70	\$747.70	\$933.60	\$1119.60	\$1305.50
2 x 4	0024	\$392.20	\$594.60	\$797.00	\$999.40	\$1201.80	\$1404.20
3 x 6	0036	\$566.70	\$943.70	\$1320.70	\$1697.60	\$2074.60	\$2451.60
4 x 8	0048	\$767.90	\$1346.00	\$1924.10	\$2502.20	\$3080.30	\$3658.40
6 x 10	0610	\$1231.60	\$2166.10	\$3100.70	\$4035.20	\$4969.80	\$5904.40
8 x 12	0812	\$2040.70	\$3685.40	\$5330.20	\$6974.90	\$8619.60	\$10264.30

NOTE: Contractor should order the next higher size and cut to the desired length in the field. Random lengths (+/- 1/4" tol.) are also available for a premium. Please contact Orion Fittings for more information.

**SEE PAGE 2 FOR STANDARD CF X 2 MATERIAL DESCRIPTION FOR PPxPP, PVDFxPP, AND PVDFxPVDF**

# Pipe Lengths and Special Factory Fabrications

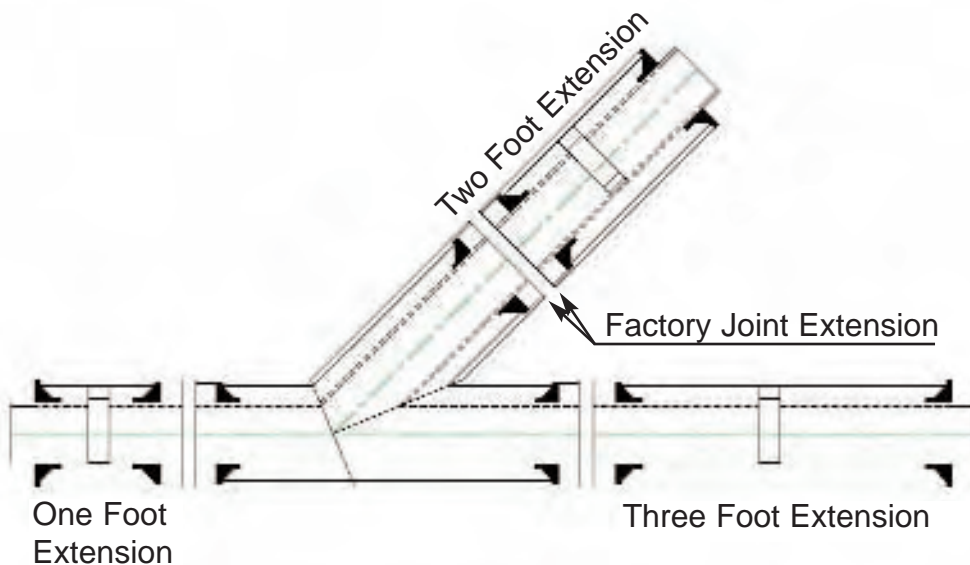
## Factory Fabricated Fitting Extension Example - Single Extension



Note: Maximum Extension length is six feet  
 Pricing for extensions is listed on page 21 for Polypropylene and PVDF. Random lengths are also available (+/- 1/4" tol.) for a premium.

Note: Signed, approved drawing or sketch is required prior to fabrication.

## Factory Fabricated Fitting Extension Example - Multiple Extensions



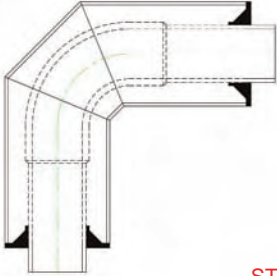
\*Note: Pricing for extensions is listed on page 21 for Polypropylene and PVDF. Random lengths are also available (+/- 1/4" tol.) for a premium. A signed, approved drawing or sketch is required prior to fabrication.

SEE PAGE 2 FOR STANDARD CFx2 MATERIAL DESCRIPTION FOR PPxPP, PVDFxPP, AND PVDFxPVDF

# How To Order CFX2 Fittings

## EXAMPLE: 2" PVDF in 4" PP 90° Elbow

**Step 1: Find part type and locate your size.**



90 Degree Elbow				
Sizes	size code	PPxPP #011733022	PVDFxPP #021711011	PVDFxPVDF #021411008
1/2 x 2	0122	\$210.50	\$260.20	\$373.20
3/4 x 2	0342	\$224.50	\$300.20	\$411.20
1 x 3	0013	\$245.60	\$366.90	\$626.20
1-1/2 x 3	0053	\$267.20	\$422.10	\$771.70
1-1/2 x 4	0054	\$275.00	\$492.80	\$885.50
2 x 4	0024	\$306.50	\$515.50	\$991.80
3 x 6	0036	\$416.40	\$784.40	\$1919.70
4 x 8	0048	\$589.30	\$1008.50	\$2621.10
6 x 10	0610	\$975.60	\$1948.80	\$4427.80
8 x 12	0812	\$1336.40	\$2884.20	\$6948.50

Annotations: STEP 1 points to '90 Degree Elbow' and '2 x 4'. STEP 2 points to '#021711011'. STEP 3 points to '0024'. STEP 4 points to '\$515.50'.

**Step 2: Find the part code for the material combination.**

Part Code: #021711011

**Step 3: Find the size code for the specific size.**

Size Code: 0024

Part Number: Part Code + Size Code = 021711011 + 0024  
= 0217110110024

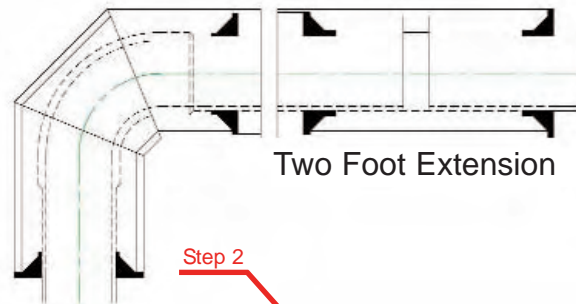
**Step 4: Determine price from chart**

Price for part # 0217110110024 = **\$515.50**

SEE PAGE 2 FOR STANDARD CFx2 MATERIAL DESCRIPTION FOR PPxPP, PVDFxPP, AND PVDFxPVDF

# How To Order CFX2 Fittings with Extensions

**EXAMPLE: 2" PVDF in 4" PP 90° Elbow with qty (1) extension , 2' long**



Fitting Extensions (Factory Assembled) for PVDFxPP				
Sizes	size code	1 FT.	2 FT.	3 FT.
		#55EXT1	#55EXT2	#55EXT3
1/2 x 2	0122	\$105.10	\$133.40	\$161.70
3/4 x 2	0342	\$114.00	\$145.50	\$176.80
1 x 3	0013	\$198.10	\$257.50	\$316.80
1-1/2 x 3	0153	\$231.10	\$302.50	\$373.90
1-1/2 x 4	0154	\$260.20	\$333.50	\$406.90
2 x 4	0024	\$300.80	\$386.90	\$473.60
3 x 6	0036	\$348.80	\$471.00	\$593.00
4 x 8	0048	\$397.50	\$577.70	\$757.70
6 x 10	0610	\$703.00	\$1071.80	\$1440.70
8 x 12	0812	\$1042.60	\$1613.30	\$2184.00

## Step 1: Determine part number of base fitting (from previous ex.)

Base Fitting Part Number = #0217110110024

## Step 2: Locate the fitting extension part code from charts on pg. 21

Fitting Extension Part Code: #55EXT2

## Step 3: Determine the size code for the fitting extension

Fitting Extension Size Code: 0024

Part Number for Fitting Extension = Part Code + Size Code

55EXT2 + 0024 = 55EXT20024

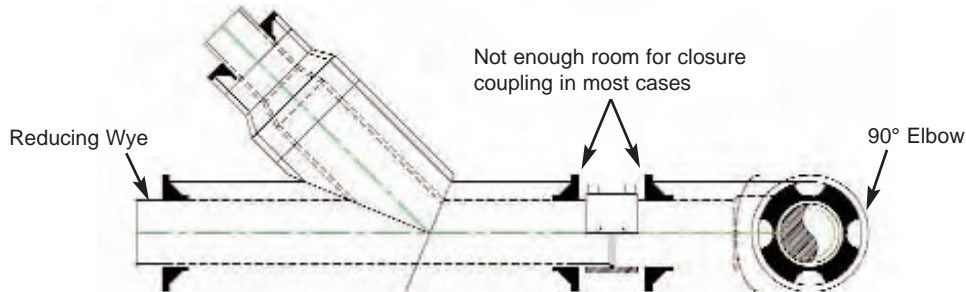
## Step 4: Determine the combined price

= \$515.50 + \$386.90 = **\$902.40**

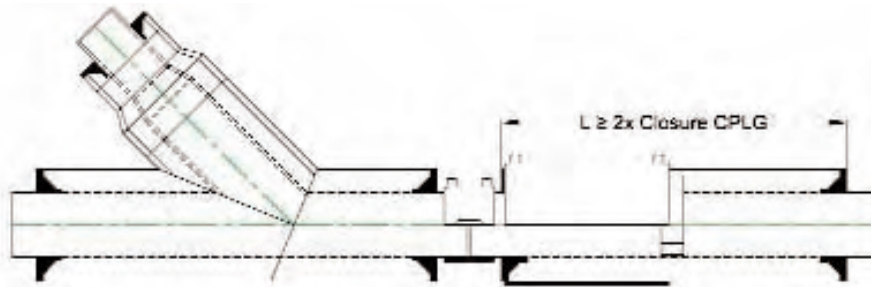
SEE PAGE 2 FOR STANDARD CFX2 MATERIAL DESCRIPTION FOR PPxPP, PVDFxPP, AND PVDFxPVDF

# How to Determine When Fitting Extensions Are Required

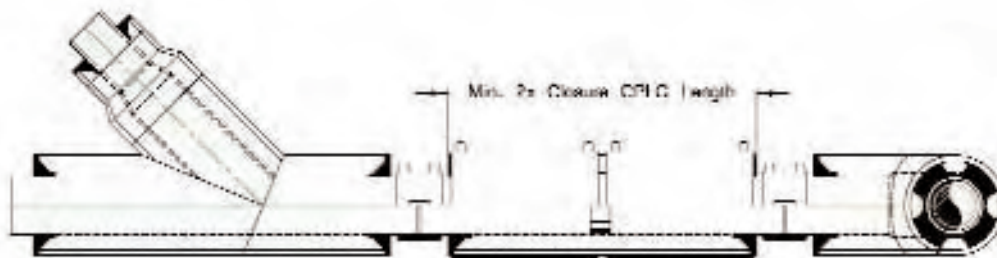
A fitting extension is required when joining many fitting to fitting connections, or alternatively, the fitting to fitting assembly can be prefabricated by Orion



**Fitting to Pipe Connection:** Not required if pipe length is minimum 2 times the length of a standard closure coupling for that size (the length of the secondary containment, excluding the carrier portion which extends out of the secondary containment pipe).



**Fitting to Pipe to Fitting Connection:** Required on one fitting for pipe lengths up to a minimum of two times the length of a standard closure coupling for that size (length of the secondary containment, excluding the carrier pipe portion which extends out of the secondary containment pipe), or alternatively, the arrangement can be prefabricated by Orion.



\*NOTE: Although arrangements as in the above can be made in the field, it may be desirable in many installations where the pipe is greater than two closure couplings in length and less than 6 feet to have either a pipe extension added or to have Orion quote it as a prefabricated subassembly. Please contact Orion for more information.

SEE PAGE 2 FOR STANDARD CFx2 MATERIAL DESCRIPTION FOR PPxPP, PVDFxPP, AND PVDFxPVDF

## ORION ENTERPRISES INC. GENERAL TERMS & CONDITIONS

### **FREIGHT CONDITIONS:**

All orders are shipped F.O.B. Kansas City, Kansas. Once the material leaves our dock it becomes the property and responsibility of the consignee. If freight is lost, or damaged, all freight claims must be filed by the consignee. When shipping to a job site, freight will be third party billed.

### **FULL FREIGHT ALLOWANCE**

To meet the full freight allowance, orders must be for immediate complete shipment to one location within the contiguous United States. Shipments to Alaska, Puerto Rico, Hawaii or for export are not freight allowed. For shipments to Alaska, Hawaii, Puerto Rico or for export, the freight allowances shown below, for qualified items, are good only for shipment to East Coast, Gulf Coast or West Coast Ports only

### **ORION MATERIAL:**

#### **1. Single Wall PP Products:**

\$6000 net on single wall pipe and fitting products excluding Sinks, Tanks, Chemical Treatment Systems, 8",10",12" Pipe & Fittings and PVDF Products for which there is no freight allowance.

#### **2. Double Containment Products:**

\$30,000 net for double wall products, with no freight allowance on prefabricated pipe spools pieces, or rental machines.

#### **3. PolyStar & Fluorostar Single-Wall Products:**

\$7500 net for pipe and pipe + fittings order combinations

\$2500 net for fitting-only orders

\$1500 net for valves

### **FLO SAFE MATERIAL:**

#### **1. Flosafe B & G Products**

\$15,000 net for orders containing Flosafe B&G pipe and fittings

\$5,000 net for orders containing fittings only

#### **2. PolyStar & Fluorostar Single-Wall Material**

\$7500 net for pipe and pipe + fittings order combinations

\$2500 net for fitting-only orders

\$1500 net for valves

#### **3. Double Containment Products:**

\$30,000 net for double wall products, with no freight allowance on prefabricated pipe spools pieces, or rental machines.

### **LABORATORY ENTERPRISES MATERIAL:**

No freight allowances

### **PAYMENT TERMS:**

A 2% cash discount is allowed if payment of invoice is mailed, or delivered, to Orion within 10 days of invoice date. All invoices are due net 30 days, with all Past Due accounts subject to a service charge of 1.5% per month. Minimum billing or credit is for \$50.00 net for Orion Products and \$100 net for FloSafe products. Any order under minimum will carry a surcharge to meet minimum.

### **ORDER ACCEPTANCE:**

No catalog, price list, literature or other material describing our products is to be construed as an offer to sell same. Orders are subject to acceptance by us at our facilities in Kansas City, Kansas. Your order, when shipped by us, shall be the complete contract between us, subject to, and incorporating therein, the terms and conditions, herein set forth, and any provisions contained in your order that are inconsistent with our terms and conditions shall be inapplicable and invalid. Prices and discounts contained in any of our catalogs, price lists or other literature are subject to change without notice.

### **WARRANTY:**

Our products are carefully inspected for manufacturing defects. However, it is not always possible to detect hidden defects. Our products are warranted only to the extent that we will replace them without charge if they are proved to have manufacturing defects within one year of the date of delivery to the site where they are to be used, or installed, and provided we have been given an opportunity to inspect any product alleged to be defective and the installation or use thereof. NO WARRANTY IS INCLUDED AGAINST ANY EXPENSE FOR REMOVAL, REINSTALLATION OR OTHER CONSEQUENTIAL DAMAGES ARISING FROM ANY DEFECT. THE WARRANTIES SET OUT ABOVE ARE THE ONLY WARRANTIES MADE AND ARE EXPRESSLY IN LIEU OF ALL OTHER WARRANTIES, EXPRESSED OR IMPLIED, INCLUDING THE WARRANTIES OF MERCHANTABILITY AND FITNESS FOR A PARTICULAR PURPOSE.

**SHIPPING DATES – DELAYS – SHORTAGE CLAIMS:**

Promises of shipping dates are estimates, and therefore cannot be guaranteed. Orion Enterprises, Inc. will not be liable for any delay in a delivery. Any claims for shipping errors, shortages or defects must be made to Orion within 24 hours of receipt of the goods. Buyer shall be required to make timely payment to seller of any amount which is undisputed, or not subject to such claims.

**TAXES:**

Any sales or manufacturers' taxes existing, or under future statutes, are to be paid by the buyer.

**OTHER:**

All pipe cuts on sizes of 8" and smaller will carry a \$5.00 per-cut charge. 10" and larger pipe will have a \$10.00 per cut charge

**RETURNED GOODS POLICY**

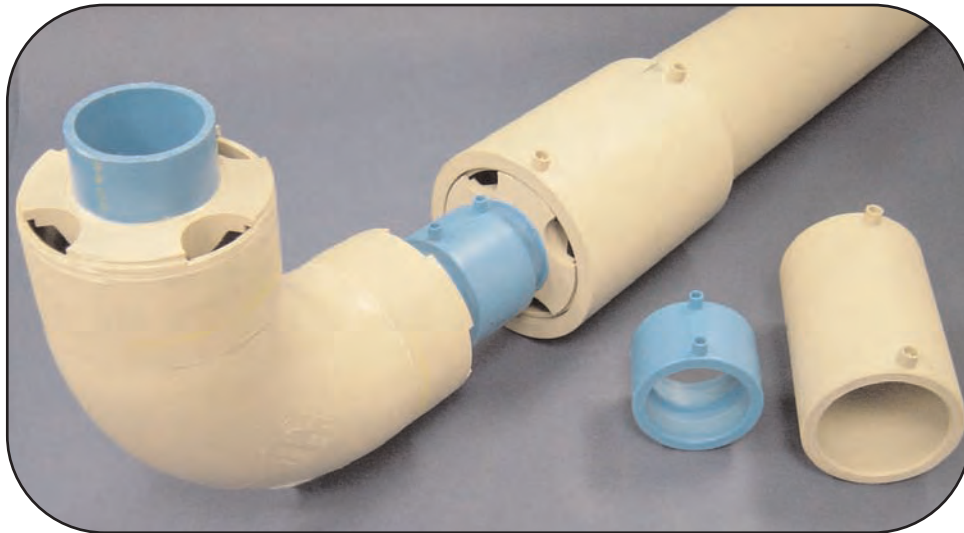
1. Permission to return goods must be requested in written form via email, fax or mail. The request must identify original shipment of material by invoice number and date of invoice, and list all goods to be returned.
2. All pipe, any non-standard items, special order items, sinks, tanks, "Standard Line" products, all PVDF product, expansion joints, 8"-10"-12" fittings, electrofusion equipment, socket fusion tools, accessories and specially manufactured items are sold non-cancelable and non-returnable. No credit will be issued upon their return.
3. All pipe and those fittings so marked (\*) on price sheets are non-returnable and no credit will be issued upon their return.
4. FloSafe's Containment Pipe and Fittings (FloSafe B&G) are Non-Returnable.
5. Goods must be returned within one year after purchase in order to receive credit.
6. Only 10% of any invoice total (not including the pricing for pipe) can be returned for credit.
7. All goods must be returned "prepaid." For any goods purchased on an FFA basis, outgoing freight charges will be deducted from total credit amount.
8. All goods returned must be in a pristine and resalable condition. All returns are subject to our inspection. Any product that is determined, in our sole judgment, to be not in a resalable condition will be either disposed of by Orion, or returned freight collect to the purchaser. In either event no credit will be given.
9. A restocking charge of 25% will be charged against all returned goods, except Whiteline materials, for which the charge will be 35%. If goods are returned in a non-pristine condition and need special cleaning to allow them to be resold a 40% restock will apply to the entire returned shipment.
10. All goods returned must have Orion's Return Authorization Number on boxes or cartons, and must freight prepaid. If not, they will be refused at our dock.
11. All credit memos issued may be applied to current account balances, or to future purchases. No cash refunds will be issued.

**PRICES SUBJECT TO CHANGE WITHOUT NOTICE. POSSESSION OF THIS PRICE LIST SHALL NOT BE CONSTRUED AS AN OFFER TO SELL TO THE BEARER.**

# ORION

## CFX2™

Double Containment  
Price List



## Orion Fittings

---

2850 Fairfax Trafficway  
Kansas City, KS 66115  
Ph# 913-342-1653  
Fax# 913-342-7218  
[www.orionfittings.com](http://www.orionfittings.com)

Orion Enterprises is a subsidiary of Watts Water Technologies