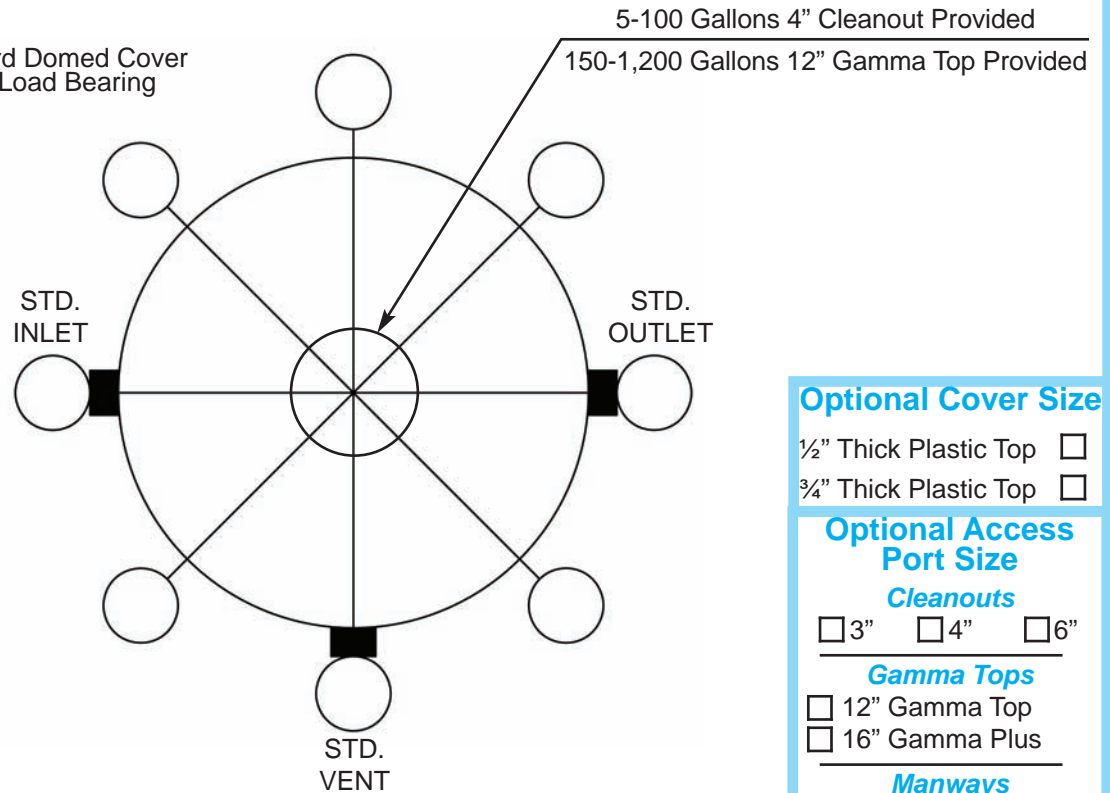
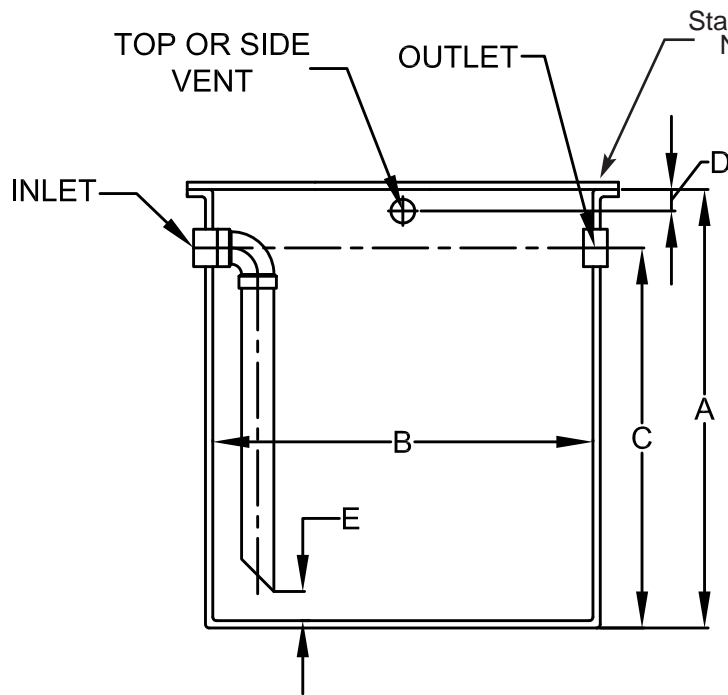


P.O.No. _____
 No. of Tanks _____
 Tank Size _____ Gallons

Tanks are of seamless construction
 manufactured from rotationally molded
 virgin polyethylene / polypropylene resin.



Optional Cover Size

- 1/2" Thick Plastic Top
- 3/4" Thick Plastic Top

Optional Access Port Size

- Cleanouts**
- 3" 4" 6"

- Gamma Tops**
- 12" Gamma Top
 - 16" Gamma Plus

- Manways**
- 20" x 1/2" 20" x 3/4"
 - 24" x 1/2" 24" x 3/4"

Standard Connections

Connection Size

	I	O	V	
Plain End	<input type="checkbox"/>	<input type="checkbox"/>	<input type="checkbox"/>	Inlet _____
Female	<input type="checkbox"/>	<input type="checkbox"/>	<input type="checkbox"/>	Outlet _____
Male	<input type="checkbox"/>	<input type="checkbox"/>	<input type="checkbox"/>	Vent _____
Flanged	<input type="checkbox"/>	<input type="checkbox"/>	<input type="checkbox"/>	Vent Location
	<input type="checkbox"/>	<input type="checkbox"/>	<input type="checkbox"/>	<input type="checkbox"/> TOP <input type="checkbox"/> SIDE

Tank Data Sheet — Must accompany all tank orders

Indicate Dimensions Needed

A	B	C	D	E

Job Name:

Company: _____

Date: _____

P.O.No. _____
 No. of Tanks _____
 Tank Size _____ Gallons

Tanks are of seamless construction
 manufactured from rotationally molded
 virgin polyethylene / polypropylene resin.

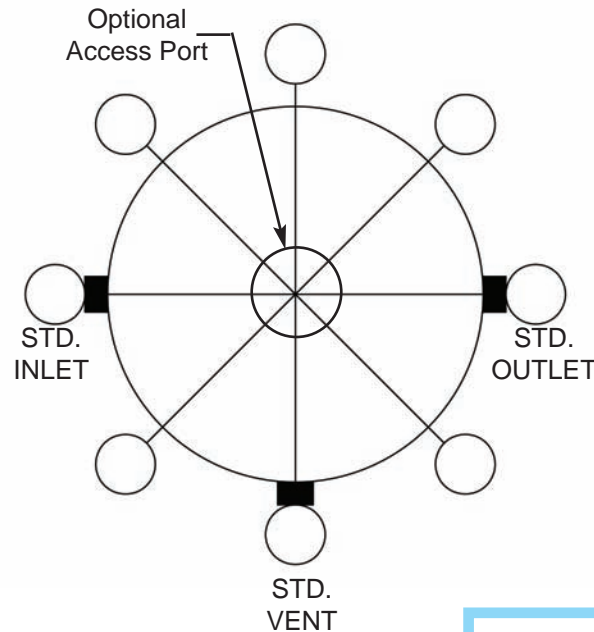
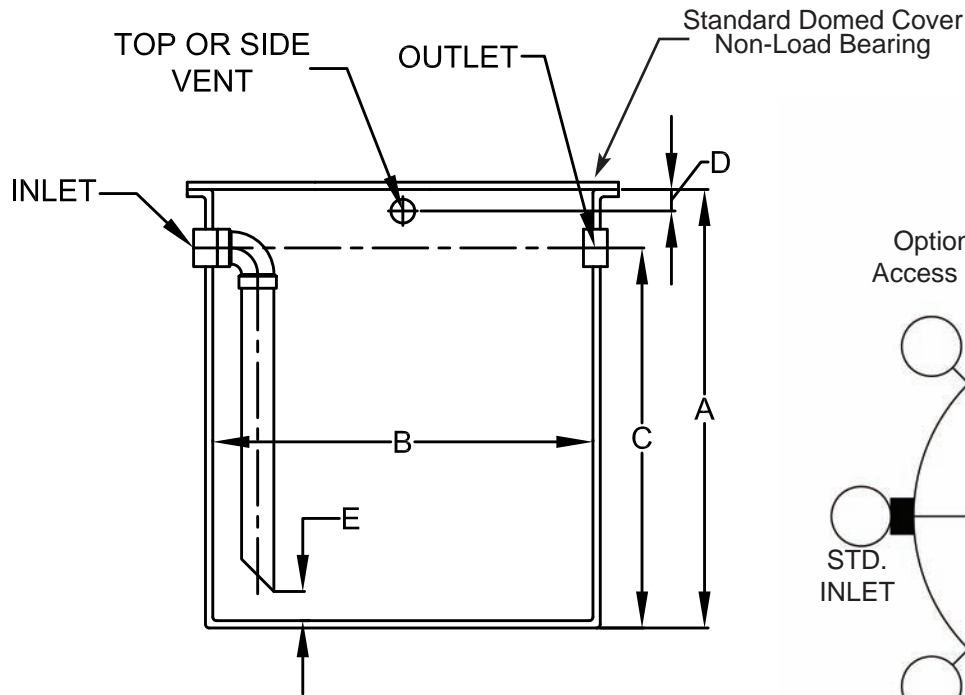
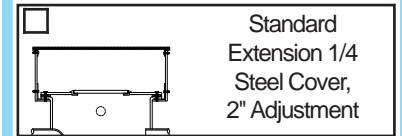
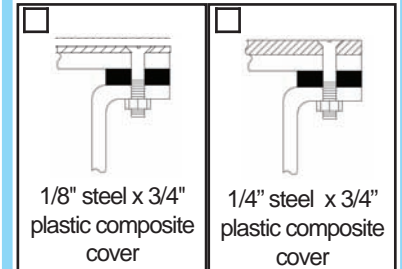
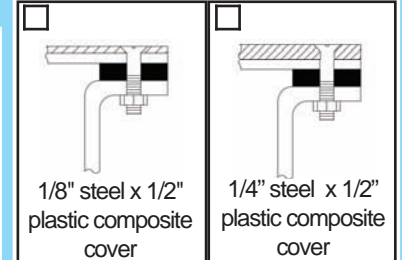
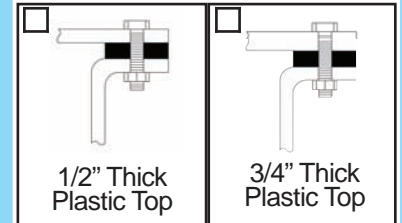
Optional Access Port Size

Cleanouts
 3" 4" 6"

Gamma Tops
 12" Gamma Top
 16" Gamma Plus

Manways
 20" x 1/2" 20" x 3/4"
 24" x 1/2" 24" x 3/4"

Optional Load Bearing Covers



Tank Data Sheet — Must accompany all tank orders

Indicate Dimensions Needed

A	B	C	D	E

Standard Connections

	I	O	V
Plain End	<input type="checkbox"/>	<input type="checkbox"/>	<input type="checkbox"/>
Female	<input type="checkbox"/>	<input type="checkbox"/>	<input type="checkbox"/>
Male	<input type="checkbox"/>	<input type="checkbox"/>	<input type="checkbox"/>
Flanged	<input type="checkbox"/>	<input type="checkbox"/>	<input type="checkbox"/>

Connection Size

Inlet _____
 Outlet _____
 Vent _____

Vent Location

TOP SIDE

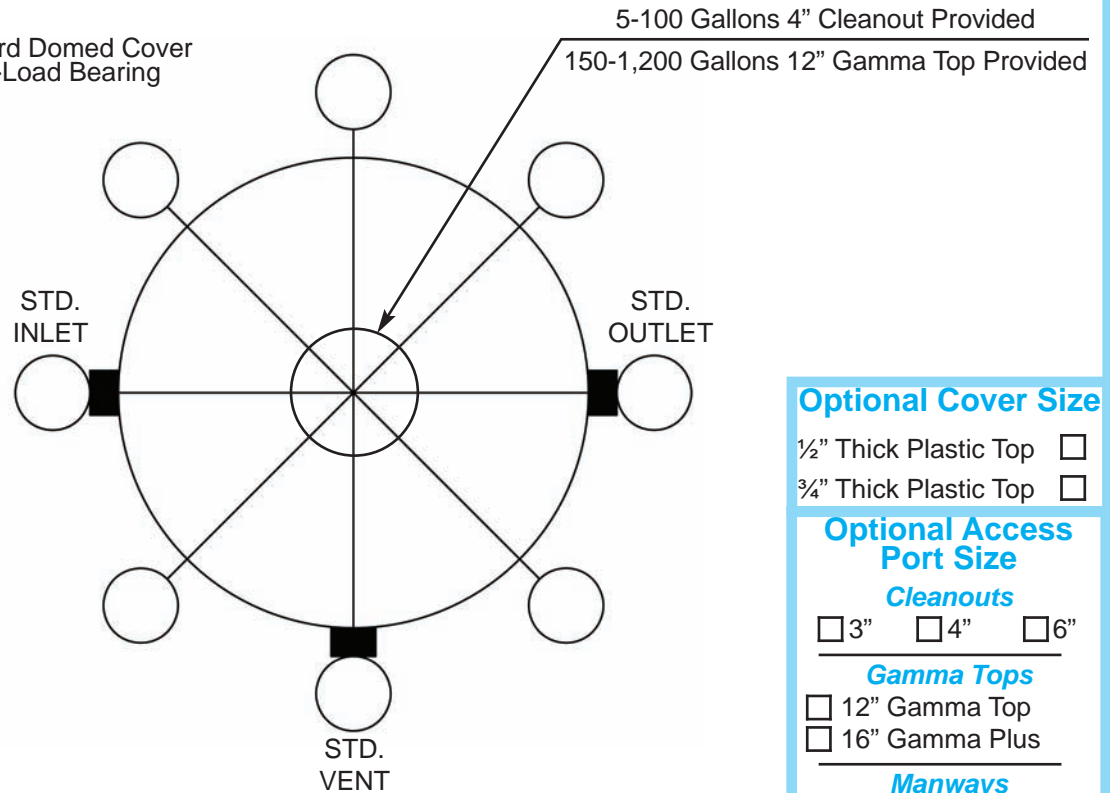
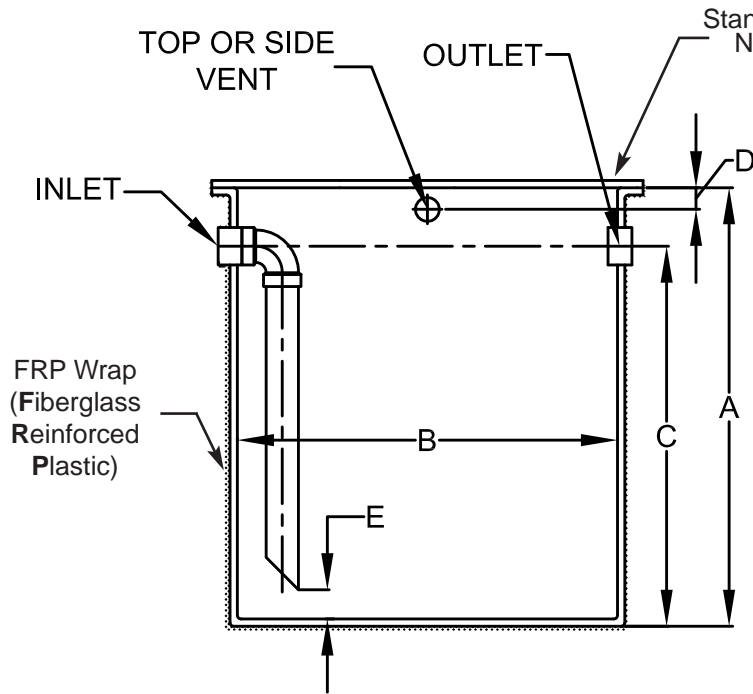
Job Name:

Company: _____

Date: _____

P.O.No. _____
 No. of Tanks _____
 Tank Size _____ Gallons

Tanks are of seamless construction
 manufactured from rotationally molded
 virgin polyethylene / polypropylene resin.



Optional Cover Size

- 1/2" Thick Plastic Top
 3/4" Thick Plastic Top

Optional Access Port Size

Cleanouts

- 3" 4" 6"

Gamma Tops

- 12" Gamma Top
 16" Gamma Plus

Manways

- 20" x 1/2" 20" x 3/4"
 24" x 1/2" 24" x 3/4"

Standard Connections

Connection Size

	I	O	V	
Plain End	<input type="checkbox"/>	<input type="checkbox"/>	<input type="checkbox"/>	Inlet _____
Female	<input type="checkbox"/>	<input type="checkbox"/>	<input type="checkbox"/>	Outlet _____
Male	<input type="checkbox"/>	<input type="checkbox"/>	<input type="checkbox"/>	Vent _____
Flanged	<input type="checkbox"/>	<input type="checkbox"/>	<input type="checkbox"/>	Vent Location
	<input type="checkbox"/>	<input type="checkbox"/>	<input type="checkbox"/>	<input type="checkbox"/> TOP <input type="checkbox"/> SIDE

Tank Data Sheet — Must accompany all tank orders

Indicate Dimensions Needed

A	B	C	D	E

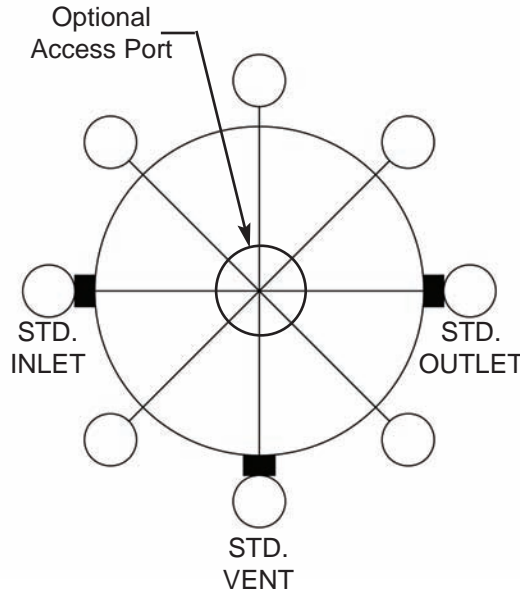
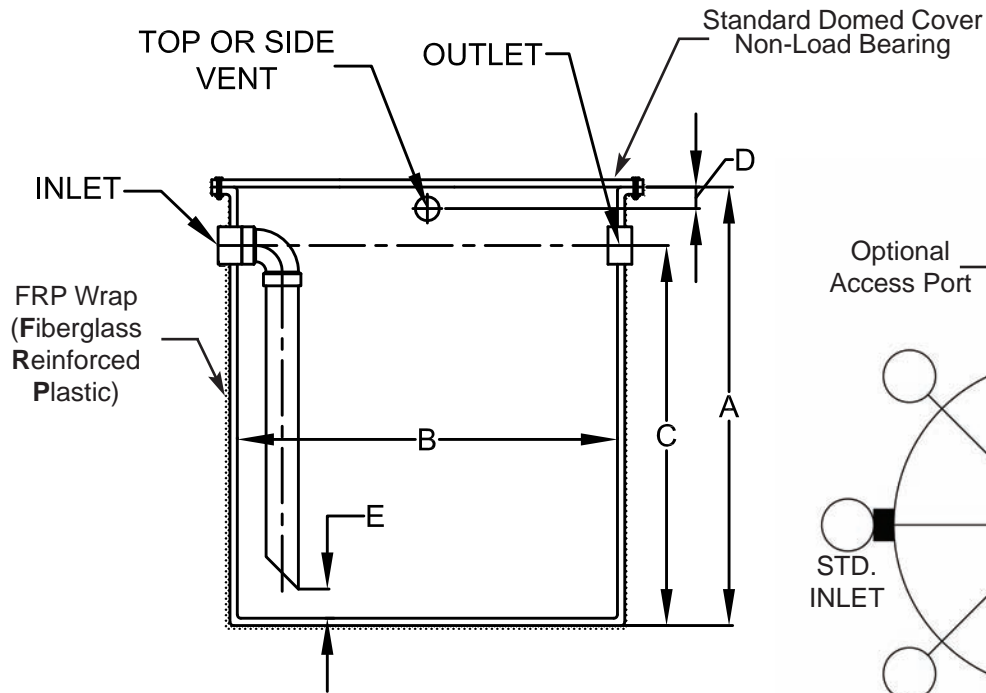
Job Name:

Company: _____

Date: _____

P.O.No. _____
 No. of Tanks _____
 Tank Size _____ Gallons

Tanks are of seamless construction manufactured from rotationally molded virgin polyethylene / polypropylene resin.



Optional Access Port Size

Cleanouts

3" 4" 6"

Gamma Tops

12" Gamma Top
 16" Gamma Plus

Manways

20" x 1/2" 20" x 3/4"
 24" x 1/2" 24" x 3/4"

Optional Load Bearing Covers

<input type="checkbox"/>		<input type="checkbox"/>	
	1/2" Thick Plastic Top		3/4" Thick Plastic Top
<input type="checkbox"/>		<input type="checkbox"/>	
	1/8" steel x 1/2" plastic composite cover		1/4" steel x 1/2" plastic composite cover
<input type="checkbox"/>		<input type="checkbox"/>	
	1/8" steel x 3/4" plastic composite cover		1/4" steel x 3/4" plastic composite cover
<input type="checkbox"/>			
	Standard Extension 1/4 Steel Cover, 2" Adjustment		

Standard Connections

Connection Size

	I	O	V	
Plain End	<input type="checkbox"/>	<input type="checkbox"/>	<input type="checkbox"/>	Inlet _____
Female	<input type="checkbox"/>	<input type="checkbox"/>	<input type="checkbox"/>	Outlet _____
Male	<input type="checkbox"/>	<input type="checkbox"/>	<input type="checkbox"/>	Vent _____
Flanged	<input type="checkbox"/>	<input type="checkbox"/>	<input type="checkbox"/>	Vent Location
	<input type="checkbox"/>	<input type="checkbox"/>	<input type="checkbox"/>	<input type="checkbox"/> TOP <input type="checkbox"/> SIDE

Tank Data Sheet — Must accompany all tank orders

Indicate Dimensions Needed

A	B	C	D	E

Job Name:

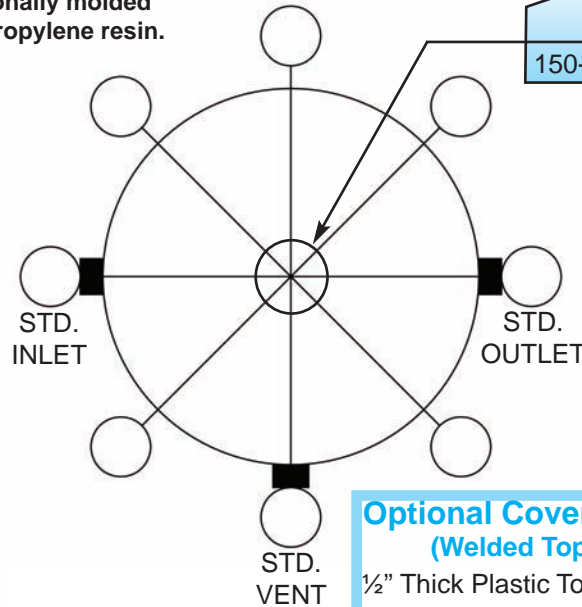
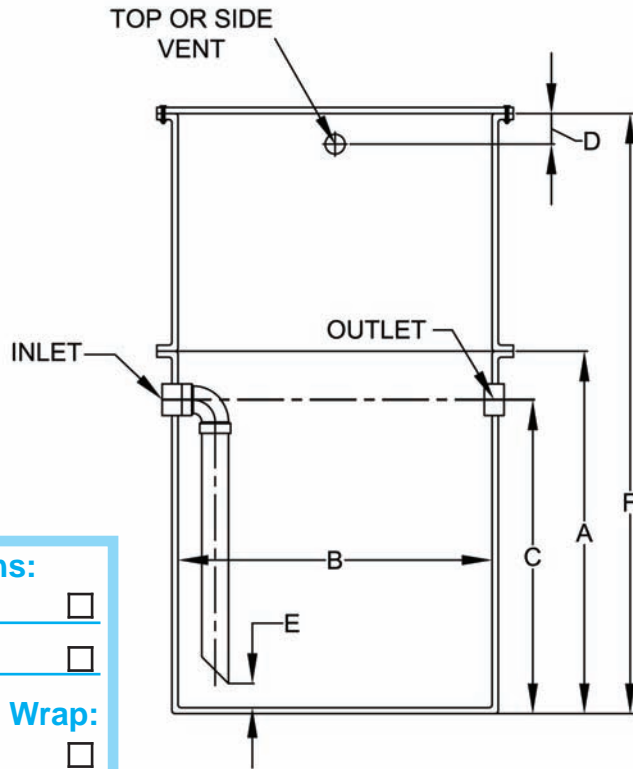
Company: _____

Date: _____

P.O.No. _____
 No. of Tanks _____
 Tank Size _____ Gallons

Tanks are of seamless construction
 manufactured from rotationally molded
 virgin polyethylene / polypropylene resin.

Style 4 (Welded Top)
 5-100 Gallons 4" Cleanout Provided
 150-1,200 Gallons 12" Gamma Top Provided



Top Options:

Welded Top

Bolted Top

Fiberglass Wrap:

FRP

Standard Connections

	I	O	V
Plain End	<input type="checkbox"/>	<input type="checkbox"/>	<input type="checkbox"/>
Female	<input type="checkbox"/>	<input type="checkbox"/>	<input type="checkbox"/>
Male	<input type="checkbox"/>	<input type="checkbox"/>	<input type="checkbox"/>
Flanged	<input type="checkbox"/>	<input type="checkbox"/>	<input type="checkbox"/>

Connection Size

Inlet _____
 Outlet _____
 Vent _____

Vent Location

TOP | SIDE

Optional Cover Size (Welded Top)

1/2" Thick Plastic Top

3/4" Thick Plastic Top

Optional Access Port Size Cleanouts

3" 4" 6"

Gamma Tops

12" Gamma Top

16" Gamma Plus

Manways

20" x 1/2" 20" x 3/4"

24" x 1/2" 24" x 3/4"

Style 5 (Bolted Top) Optional Load Bearing Covers

<input type="checkbox"/>		<input type="checkbox"/>	
	1/2" Thick Plastic Top		3/4" Thick Plastic Top
<input type="checkbox"/>		<input type="checkbox"/>	
	1/8" steel x 1/2" plastic composite cover		1/4" steel x 1/2" plastic composite cover
<input type="checkbox"/>		<input type="checkbox"/>	
	1/8" steel x 3/4" plastic composite cover		1/4" steel x 3/4" plastic composite cover

Tank Data Sheet — Must accompany all tank orders

Indicate Dimensions Needed

A	B	C	D	E

Job Name:

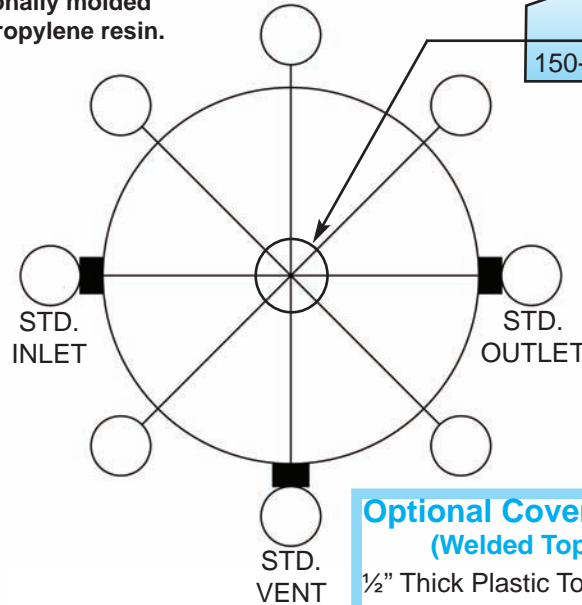
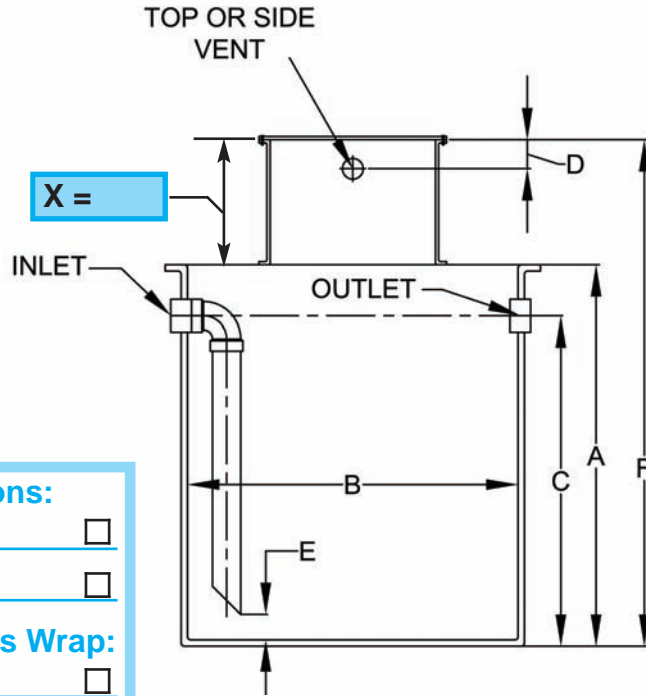
Company: _____

Date: _____

P.O.No. _____
 No. of Tanks _____
 Tank Size _____ Gallons
 Tank Ext. Size _____ Gallons

Tanks are of seamless construction
 manufactured from rotationally molded
 virgin polyethylene / polypropylene resin.

Style 4 (Welded Top)
 5-100 Gallons 4" Cleanout Provided
 150-1,200 Gallons 12" Gamma Top Provided



Top Options:

Welded Top

Bolted Top

Fiberglass Wrap:

FRP

Standard Connections

	I	O	V
Plain End	<input type="checkbox"/>	<input type="checkbox"/>	<input type="checkbox"/>
Female	<input type="checkbox"/>	<input type="checkbox"/>	<input type="checkbox"/>
Male	<input type="checkbox"/>	<input type="checkbox"/>	<input type="checkbox"/>
Flanged	<input type="checkbox"/>	<input type="checkbox"/>	<input type="checkbox"/>

Connection Size

Inlet _____
 Outlet _____
 Vent _____

Vent Location

TOP SIDE

Tank Data Sheet — Must
 accompany all tank orders

Indicate Dimensions Needed

A	B	C	D	E	F

Optional Cover Size (Welded Top)

1/2" Thick Plastic Top

3/4" Thick Plastic Top

Optional Access Port Size

Cleanouts
 3" 4" 6"

Gamma Tops

12" Gamma Top

16" Gamma Plus

Manways

20" x 1/2" 20" x 3/4"

24" x 1/2" 24" x 3/4"

Style 5 (Bolted Top) Optional Load Bearing Covers

<input type="checkbox"/>		<input type="checkbox"/>	
	1/2" Thick Plastic Top		3/4" Thick Plastic Top
<input type="checkbox"/>		<input type="checkbox"/>	
	1/8" steel x 1/2" plastic composite cover		1/4" steel x 1/2" plastic composite cover
<input type="checkbox"/>		<input type="checkbox"/>	
	1/8" steel x 3/4" plastic composite cover		1/4" steel x 3/4" plastic composite cover

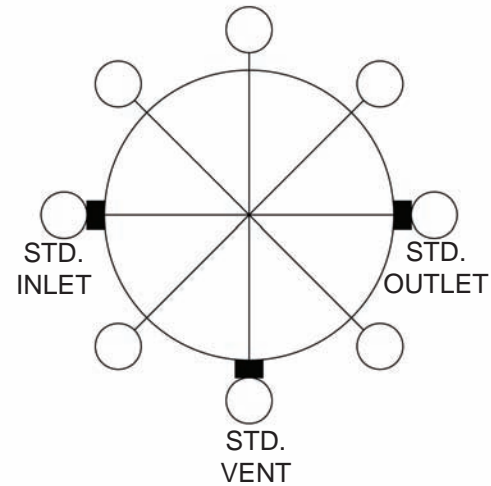
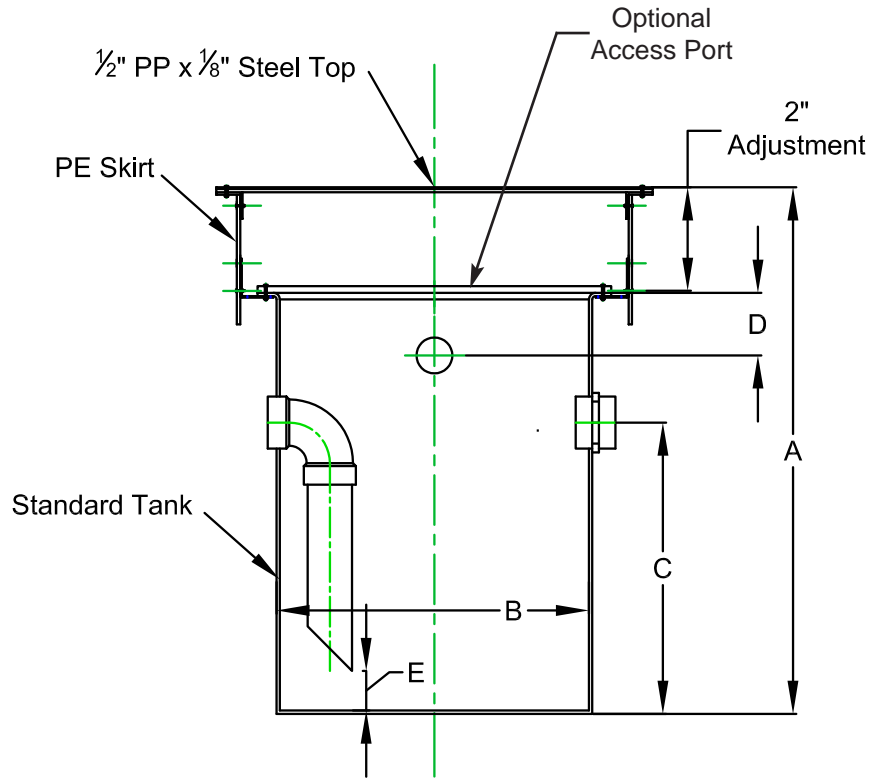
Job Name:

Company: _____

Date: _____

P.O.No. _____
 No. of Tanks _____
 Tank Size _____ Gallons

Tanks are of seamless construction
 manufactured from rotationally molded
 virgin polyethylene / polypropylene resin.



Optional Access Port Size (Tank)

Cleanouts

3" 4" 6"

Gamma Tops

12" Gamma Top
 16" Gamma Plus

Manways

20" x 1/2" 20" x 3/4"
 24" x 1/2" 24" x 3/4"

Standard Connections

I / O / V

Plain End
 Female
 Male
 Flanged

Connection Size

Inlet _____
 Outlet _____
 Vent _____

Vent Location

TOP SIDE

Tank Data Sheet — Must accompany all tank orders

Indicate Dimensions Needed

A	B	C	D	E

Job Name:

Company: _____

Date: _____

P.O.No. _____
 No. of Tanks _____
 Tank Size _____ Gallons

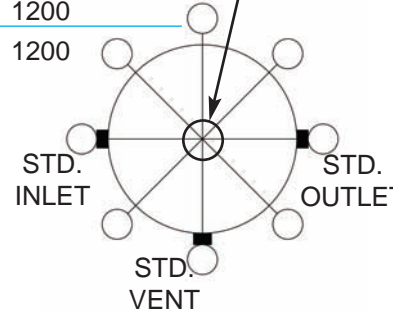
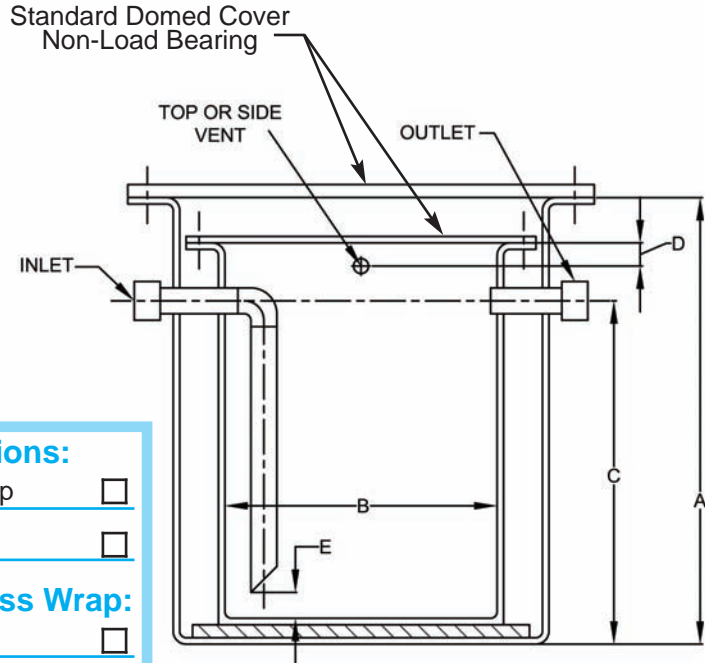
Tank Sizes In Gallons Carrier / Containment

5 / 30
15 / 55
30 / 55
55 / 150
100 / 200
150 / 200

Tank Sizes In Gallons Carrier / Containment

180 / 360
200 / 500
275 / 600
360 / 1200
500 / 1200
600 / 1200

Tanks are of seamless construction
 manufactured from rotationally molded
 virgin polyethylene / polypropylene resin.



Style 4 (Welded Top)
 5-100 Gallons 4" Cleanout Provided
 150-1,200 Gallons 12" Gamma Top Provided

Style 5 (Bolted Top) Optional Load Bearing Covers Containment Tank Only

<input type="checkbox"/>		<input type="checkbox"/>	
	1/2" Thick Plastic Top		3/4" Thick Plastic Top
<input type="checkbox"/>		<input type="checkbox"/>	
	1/8" steel x 1/2" plastic composite cover		1/4" steel x 1/2" plastic composite cover
<input type="checkbox"/>		<input type="checkbox"/>	
	1/8" steel x 3/4" plastic composite cover		1/4" steel x 3/4" plastic composite cover

Top Options:

Welded Top

Bolted Top

Fiberglass Wrap:

FRP

Optional Cover Size (Welded Top Carrier Tank)

1/2" Thick Plastic Top
 3/4" Thick Plastic Top

Optional Cover Size (Welded Top Cont. Tank)

1/2" Thick Plastic Top
 3/4" Thick Plastic Top

Optional Access Port Size (Carrier Tank)

Cleanouts
 3" 4" 6"

Gamma Tops

12" Gamma Top
 16" Gamma Plus

Manways

20" x 1/2" 20" x 3/4"
 24" x 1/2" 24" x 3/4"

Optional Access Port Size (Cont. Tank)

Cleanouts
 3" 4" 6"

Gamma Tops

12" Gamma Top
 16" Gamma Plus

Manways

20" x 1/2" 20" x 3/4"
 24" x 1/2" 24" x 3/4"

Standard Connections

	I	O	V
Plain End	<input type="checkbox"/>	<input type="checkbox"/>	<input type="checkbox"/>
Female	<input type="checkbox"/>	<input type="checkbox"/>	<input type="checkbox"/>
Male	<input type="checkbox"/>	<input type="checkbox"/>	<input type="checkbox"/>
Flanged	<input type="checkbox"/>	<input type="checkbox"/>	<input type="checkbox"/>

Connection Size

Inlet _____
 Outlet _____
 Vent _____

Vent Location

TOP SIDE

Tank Data Sheet — Must
 accompany all tank orders

Indicate Dimensions Needed

A	B	C	D	E

Job Name:

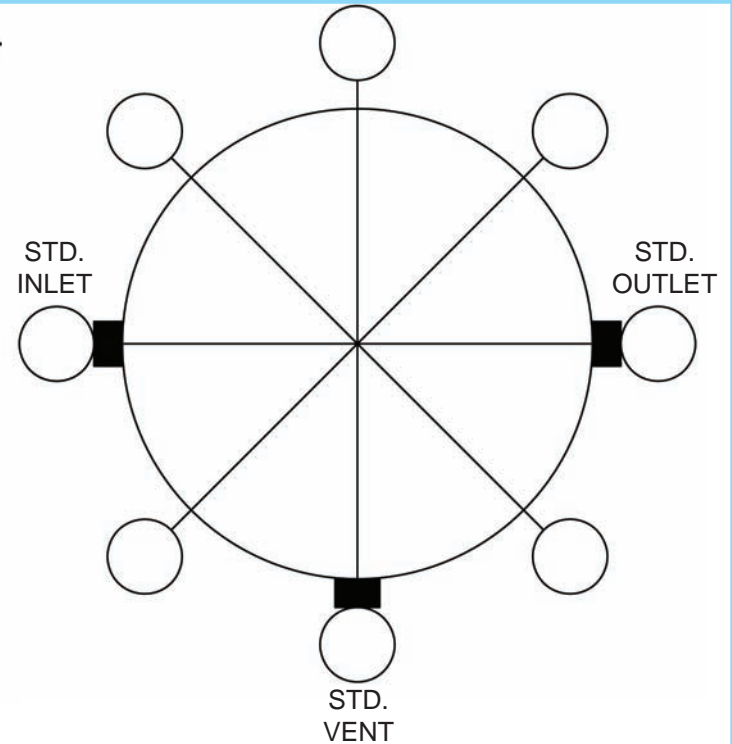
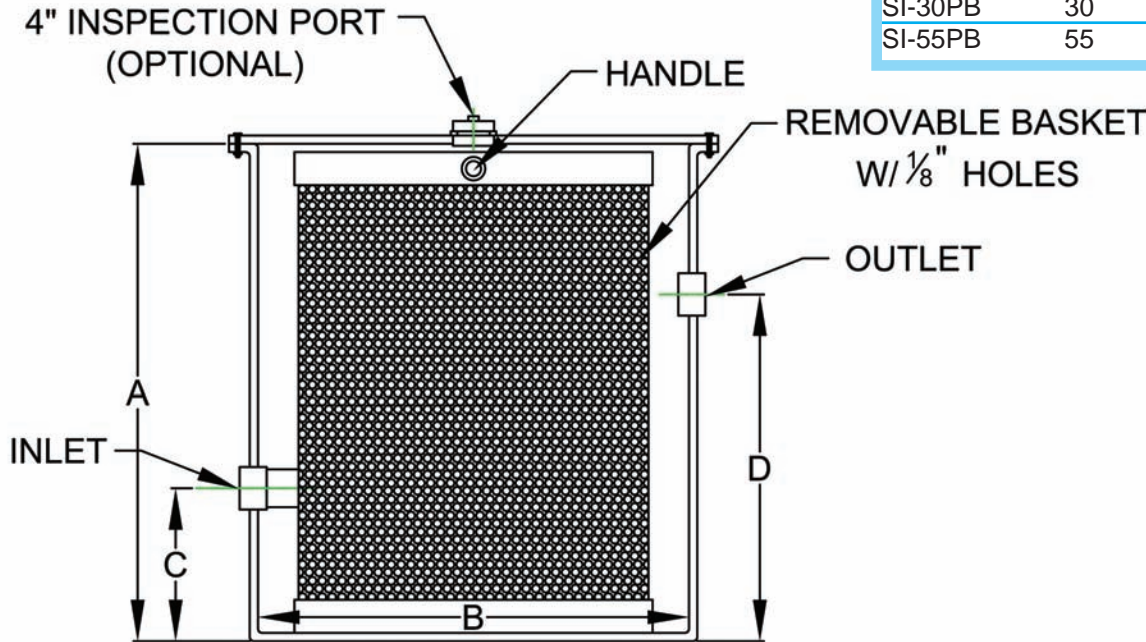
Company: _____

Date: _____

P.O.No. _____
 No. of Tanks _____
 Tank Size _____ Gallons

Tanks are of seamless construction manufactured from rotationally molded virgin polyethylene / polypropylene resin.

Model	Tank Size (GAL)	STD Inlet & Outlet	STD Vent Size	A Tank Height	B Inside Dia.	C Inlet	D Outlet
SI-5PB	5	2	2	16	11	6	11
SI-15PB	15	3	2	15	17	6	11
SI-30PB	30	3	2	30½	17¼	8	25
SI-55PB	55	3	2	44	23	8	24



Not For Use With Limestone
 For Larger Tank Sizes Please Consult Factory
 Tank Sizes & Dimensions Can Vary ± 1"

Standard Connections

	I	O	V
Plain End	<input type="checkbox"/>	<input type="checkbox"/>	<input type="checkbox"/>
Female	<input type="checkbox"/>	<input type="checkbox"/>	<input type="checkbox"/>
Male	<input type="checkbox"/>	<input type="checkbox"/>	<input type="checkbox"/>
Flanged	<input type="checkbox"/>	<input type="checkbox"/>	<input type="checkbox"/>

Connection Size

Inlet _____
 Outlet _____
 Vent _____

Vent Location

TOP | SIDE

Tank Data Sheet — Must accompany all tank orders

Indicate Dimensions Needed

A	B	C	D	E

Job Name:

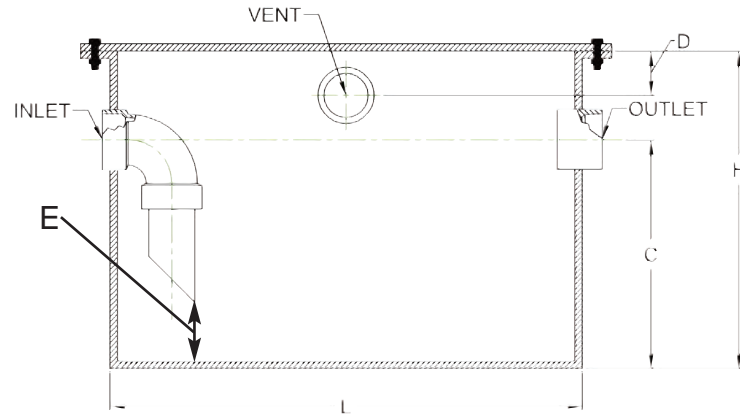
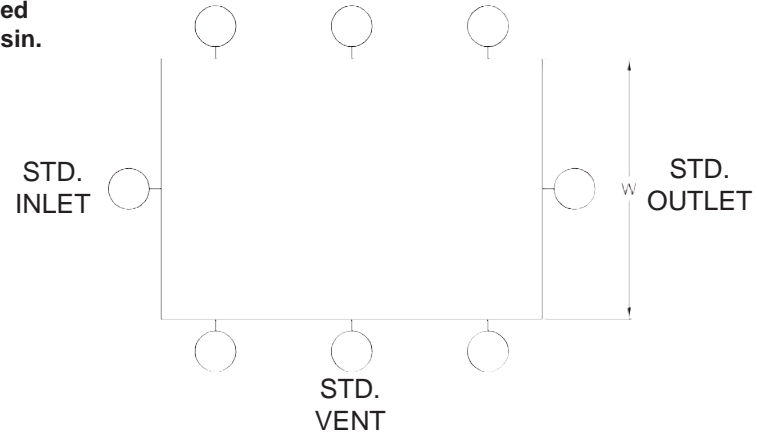
Company: _____

Date: _____

P.O.No. _____
 No. of Tanks _____
 Tank Size _____ Gallons

Tanks are of seamless construction
 manufactured from rotationally molded
 virgin polyethylene / polypropylene resin.

Part #	Size	L	W	H	C	D	E
ORT0001	1 Gal.	6"	12"	6"	3"	1.5"	2"
ORT0002	2 Gal.	8"	8"	8"	5"	1.5"	2"
ORT0005	5 Gal.	10"	16"	8"	5"	1.5"	2"
ORT0015	15 Gal.	12"	24"	12"	7"	2"	4"
ORT0030	30 Gal.	12"	24"	24"	18"	2"	4"
ORT0055	55 Gal.	24"	30"	18"	12"	2"	4"
ORT0115	115 Gal.	30"	30"	30"	24"	2"	4"
ORT0150	150 Gal.	24"	48"	30"	24"	2"	4"
ORT0215	215 Gal.	36"	36"	42"	36"	2"	4"
ORT0265	265 Gal.	36"	72"	24"	18"	2"	4"
ORT0400	400 Gal.	36"	72"	36"	30"	2"	4"
ORT0540	540 Gal.	36"	72"	48"	42"	2"	4"
ORT0670	670 Gal.	36"	72"	60"	54"	2"	4"



Material:

- Polyethylene
- Polypropylene
- Polyethylene w/ FRP Wrap
- Polypropylene w/ FRP Wrap

Lid:

- Non- Load Bearing:*
- Bolted
 - Welded
- Load Bearing:*
- Light Traffic
 - Medium Traffic

Access Port:

- 6" Cleanout
- Gamma Top
- Gamma Top Plus

Standard Connections

	I	O	V
Plain End	<input type="checkbox"/>	<input type="checkbox"/>	<input type="checkbox"/>
Female	<input type="checkbox"/>	<input type="checkbox"/>	<input type="checkbox"/>
Male	<input type="checkbox"/>	<input type="checkbox"/>	<input type="checkbox"/>
Flanged	<input type="checkbox"/>	<input type="checkbox"/>	<input type="checkbox"/>

Connection Size

Inlet _____
 Outlet _____
 Vent _____

Vent Location

- TOP
- SIDE

Tank Data Sheet — Must accompany all tank orders

Indicate Dimensions Needed

L	W	H	C	D	E

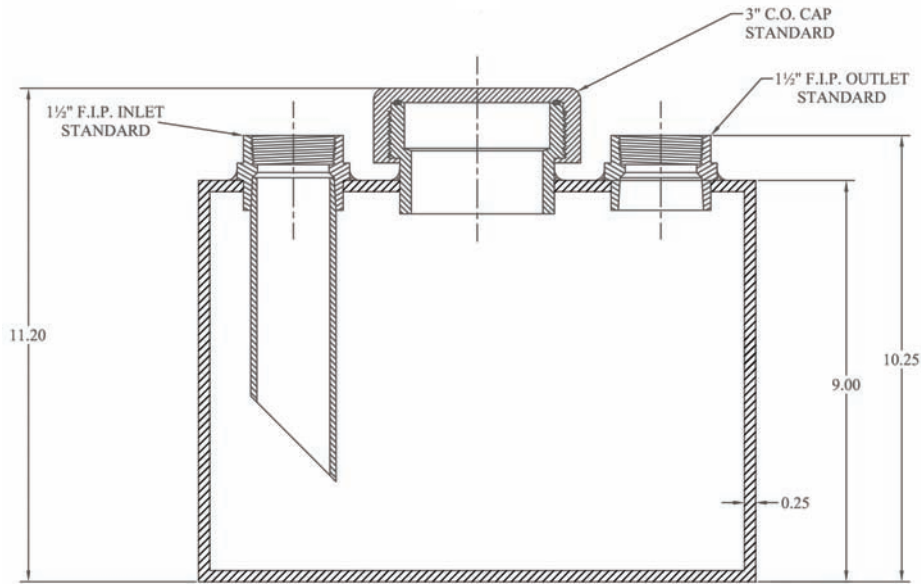
Job Name:

Company: _____

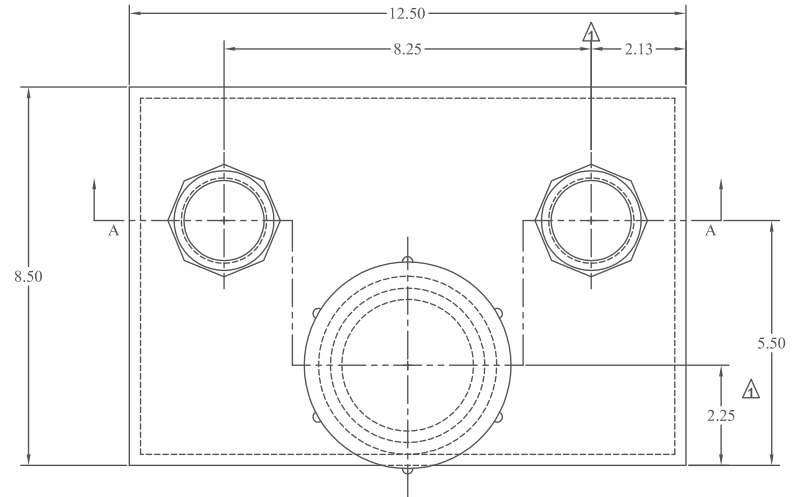
Date: _____

P.O.No. _____
 No. of Tanks _____
 Tank Size _____ 1½ - Gallons

Tanks are of seamless construction
 manufactured from rotationally molded
 virgin polyethylene / polypropylene resin.



SECTION A-A



Standard Connections

Female I O

Connection Size

Inlet 1½" 2"

Outlet 1½" 2"

Outlet Location

TOP SIDE

Tank Data Sheet — Must accompany all tank orders

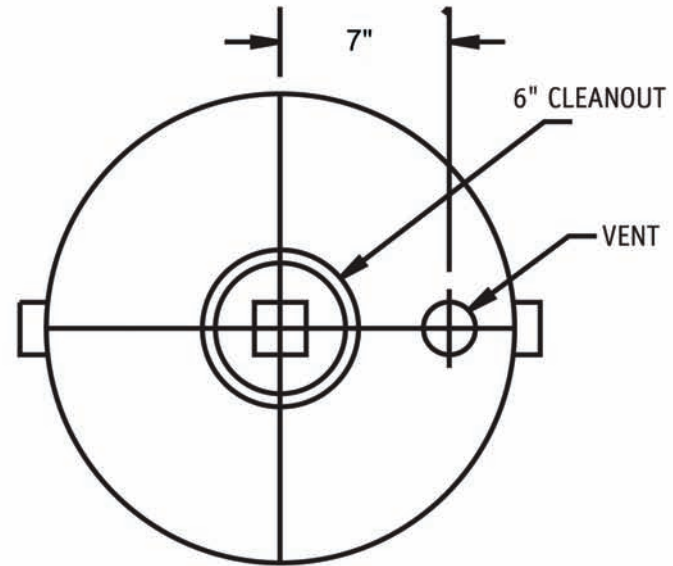
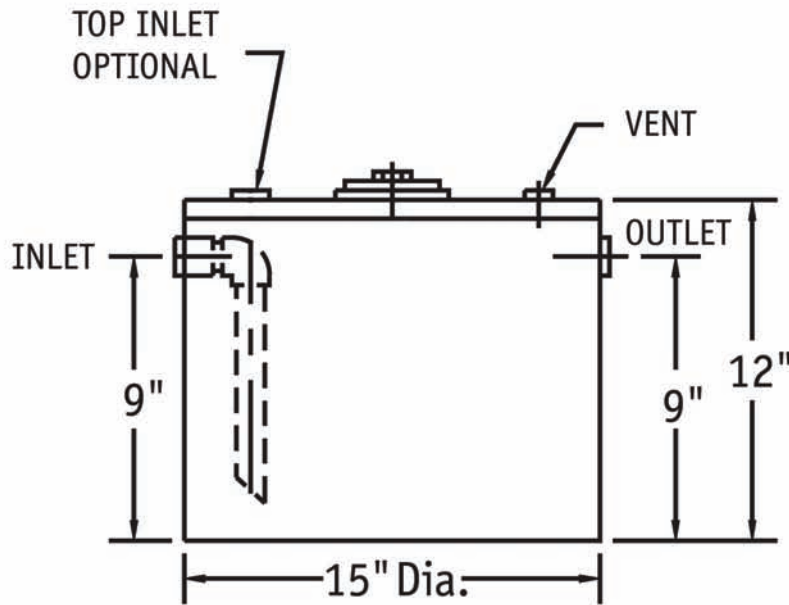
Job Name: _____

Company: _____

Date: _____

P.O.No. _____
 No. of Tanks _____
 Tank Size _____ 5 - Gallons

Tanks are of seamless construction
 manufactured from rotationally molded
 virgin polyethylene / polypropylene resin.



Connection Size

Inlet 1½" 2"
 Outlet 1½" 2"
 Vent 1½" 2"

Standard Connections

Female I O

Inlet Location

TOP SIDE

Tank Data Sheet — Must
 accompany all tank orders

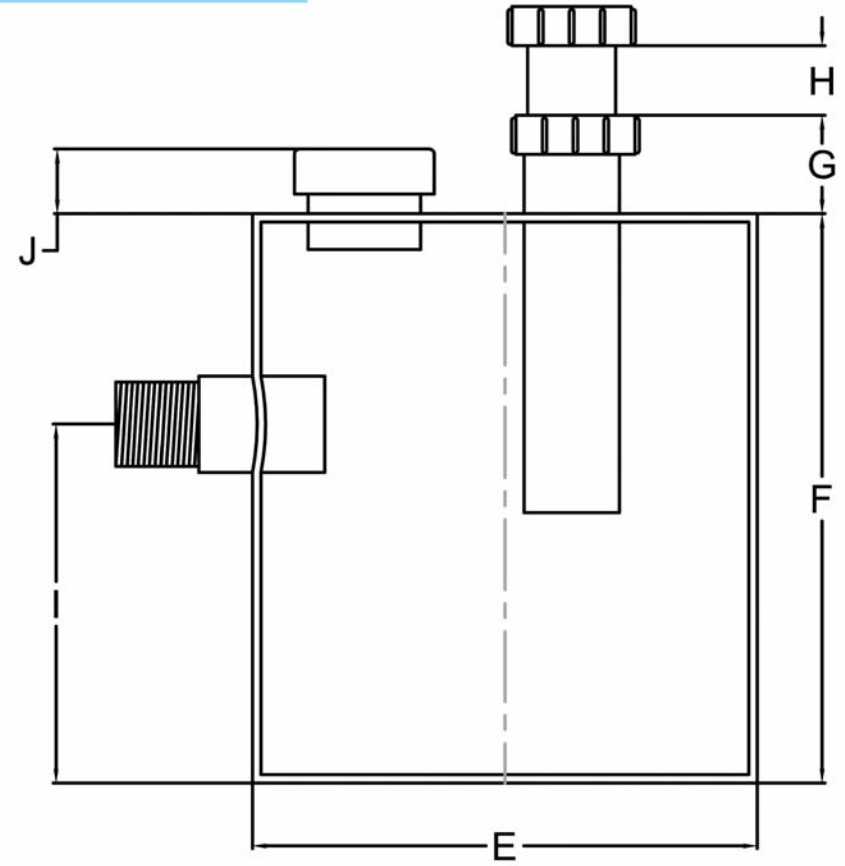
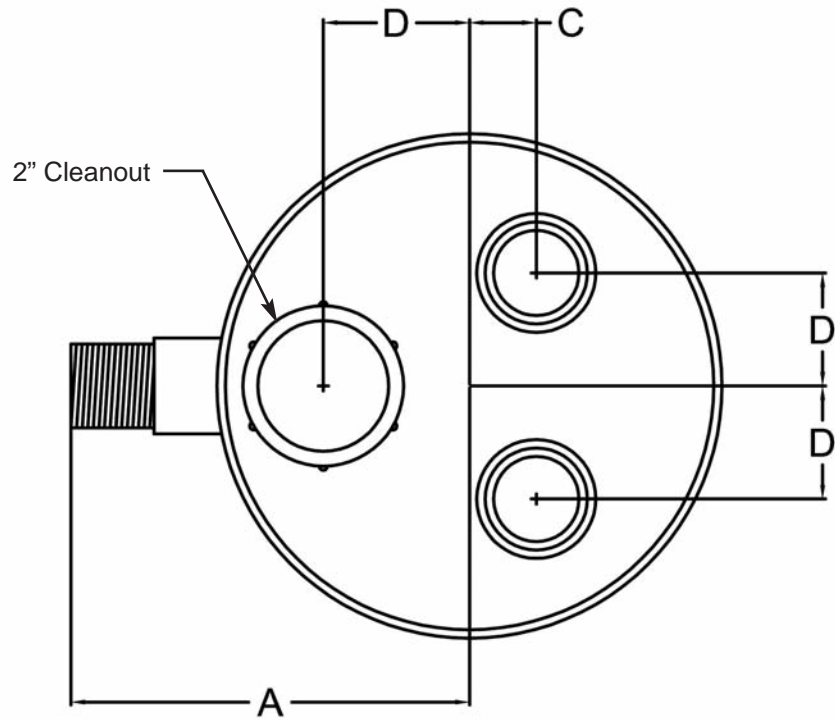
Job Name:

Company: _____

Date: _____

P.O.No. _____
 No. of Tanks _____
 Tank Size _____ 1½ - Gallons

A	B	C	D	E	F	G	H	I	J
7.31"	2.50"	1.19"	2.06"	9.00"	10.16"	1.91"	0" - 10"	6.78"	1.64"
7.31"	2.50"	1.19"	2.06"	9.00"	10.16"	1.91"	0" - 10"	6.78"	1.64"



Connection Size

Inlet 1½" 2"

Qty. of Inlets 1 2

Outlet 2"

Qty. of Outlets 1 2

Tank Color

Black White

Standard Connections

I / O

Female

Male

Tank Data Sheet — Must accompany all tank orders

Tanks are of seamless construction manufactured from rotationally molded virgin polyethylene / polypropylene resin.

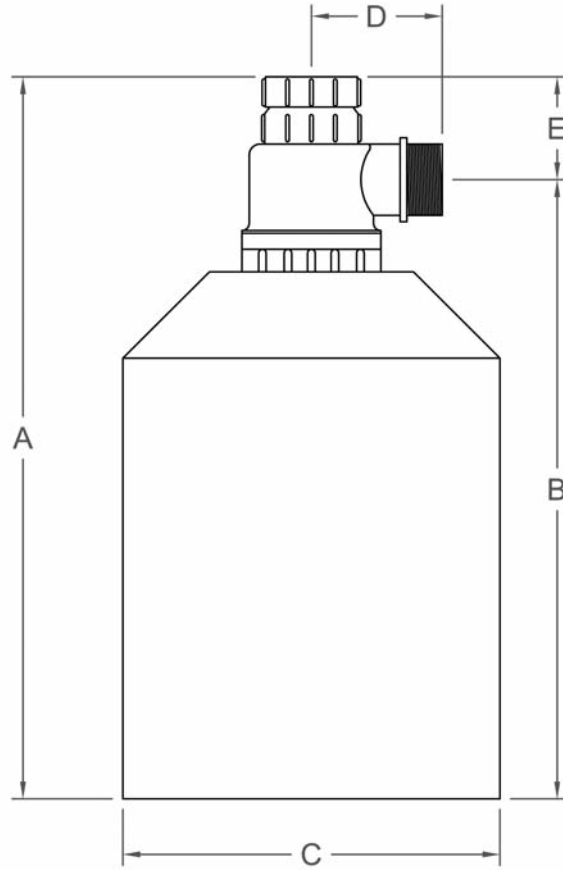
Job Name:

Company: _____

Date: _____

P.O.No. _____
 No. of Tanks _____
 Tank Gallons 1½ 2 5

Gallons	A In.	B In.	C In.	D In.	E Max.	E Min.
1	10.75"	7.50"	7.50"	2.88"	2.50"	7.50"
2	17.00"	14.25"	7.50"	2.88"	3.50"	13.50"
5	19.50"	17.00"	11.50"	2.88"	3.50"	13.50"



Standard Connections

	I	O
Female	<input checked="" type="checkbox"/>	<input type="checkbox"/>
Male	<input type="checkbox"/>	<input checked="" type="checkbox"/>

Connection Size

Inlet	<input checked="" type="checkbox"/> 1½"
Outlet	<input checked="" type="checkbox"/> 1½"

Tank Data Sheet — Must accompany all tank orders

Tanks are of seamless construction manufactured from rotationally molded virgin polyethylene / polypropylene resin.

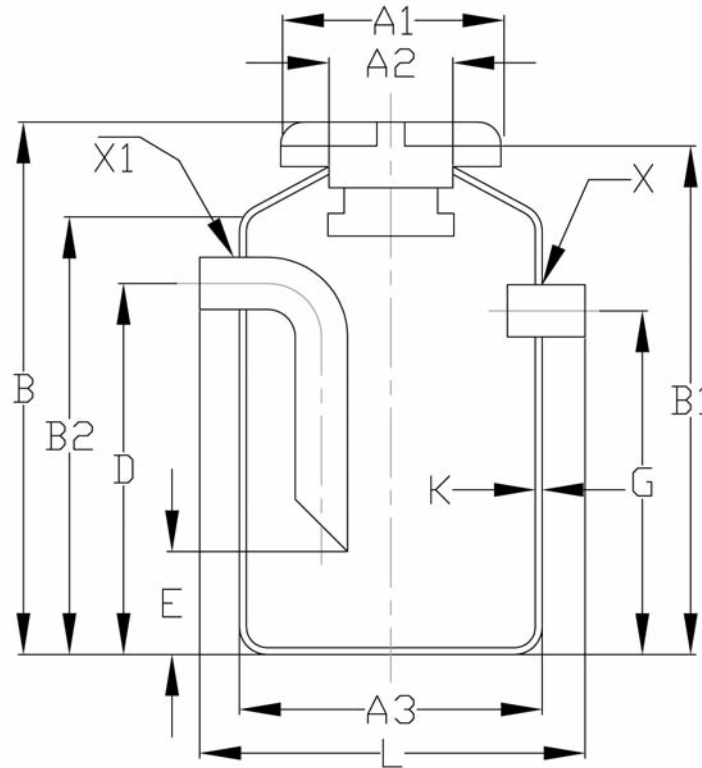
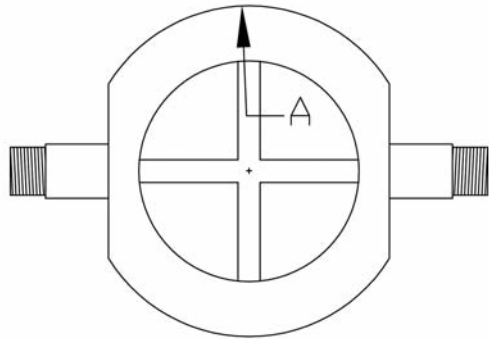
Job Name: _____

Company: _____

Date: _____

P.O.No. _____
 No. of Tanks _____
 Tank Size _____ 6 - Gallons

A	A1	A2	A3	B	B1	B2	D	E	G	L	K
12"	8"	5.5"	11"	18.5"	17.75"	16"	13.5"	2"	12.5"	16"	.25"
12"	8"	5.5"	11"	18.5"	17.75"	16"	13.5"	2"	12.5"	16"	.25"



Connection Size

Standard Connections

Male I O

Inlet 1½" 2"
 Outlet 1½" 2"

Tank Data Sheet — Must accompany all tank orders

Tanks are of seamless construction manufactured from rotationally molded virgin polyethylene / polypropylene resin.

Job Name:

Company: _____

Date: _____

P.O.No. _____

No. of Tanks _____

Tank Sizes:

- 150-Gallon 200-Gallon
 275-Gallon 360-Gallon
 500-Gallon 600-Gallon
 1200-Gallon

Top Options:

Welded Top

Bolted Top

Additional Options:

FRP (Fiberglass Wrap)

Ball Valve (Outlet)

Internal

External

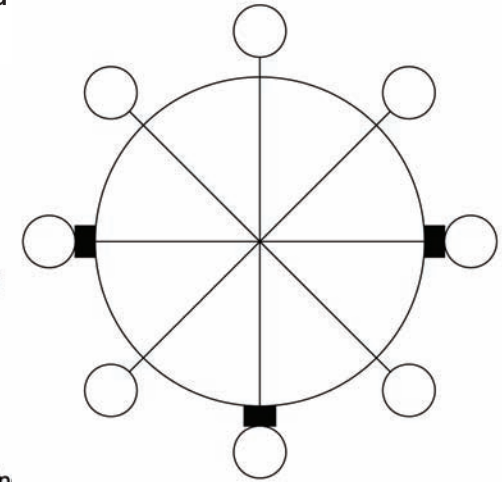
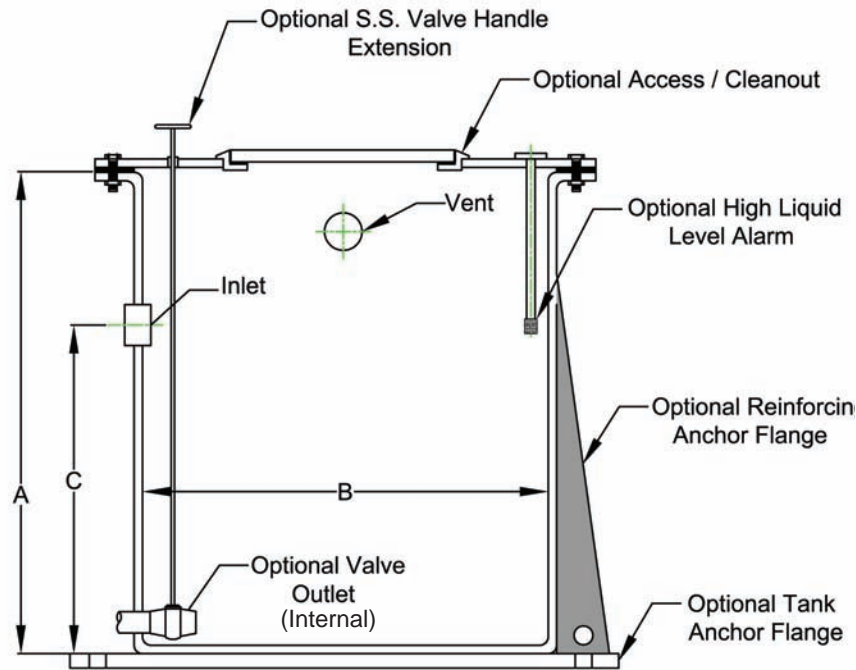
S.S. Ball Valve (Internal)
Handle Extension

High Liquid
Level Alarm

Tank Anchor Flange

Reinforcing Anchor
Flange (RAF)

Tanks are of seamless construction manufactured from rotationally molded virgin polyethylene / polypropylene resin.



Optional Cover Size (Welded Top)

1/2" Thick Plastic Top

3/4" Thick Plastic Top

Optional Access Port Size

Cleanouts

3" 4" 6"

Gamma Tops

12" Gamma Top

16" Gamma Plus

Manways

20" x 1/2" 20" x 3/4"

24" x 1/2" 24" x 3/4"

Standard Connections

I / O / V

Plain End

Female

Male

Flanged

Connection Size

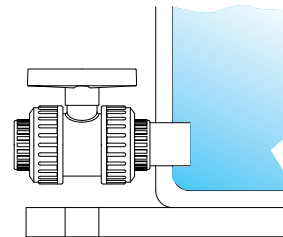
Inlet _____

Outlet _____

Vent _____

Vent Location

TOP SIDE



Optional Valve
Outlet
(External)

Tank Data Sheet — Must accompany all tank orders

Indicate Dimensions Needed

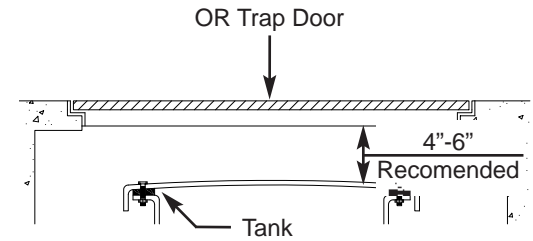
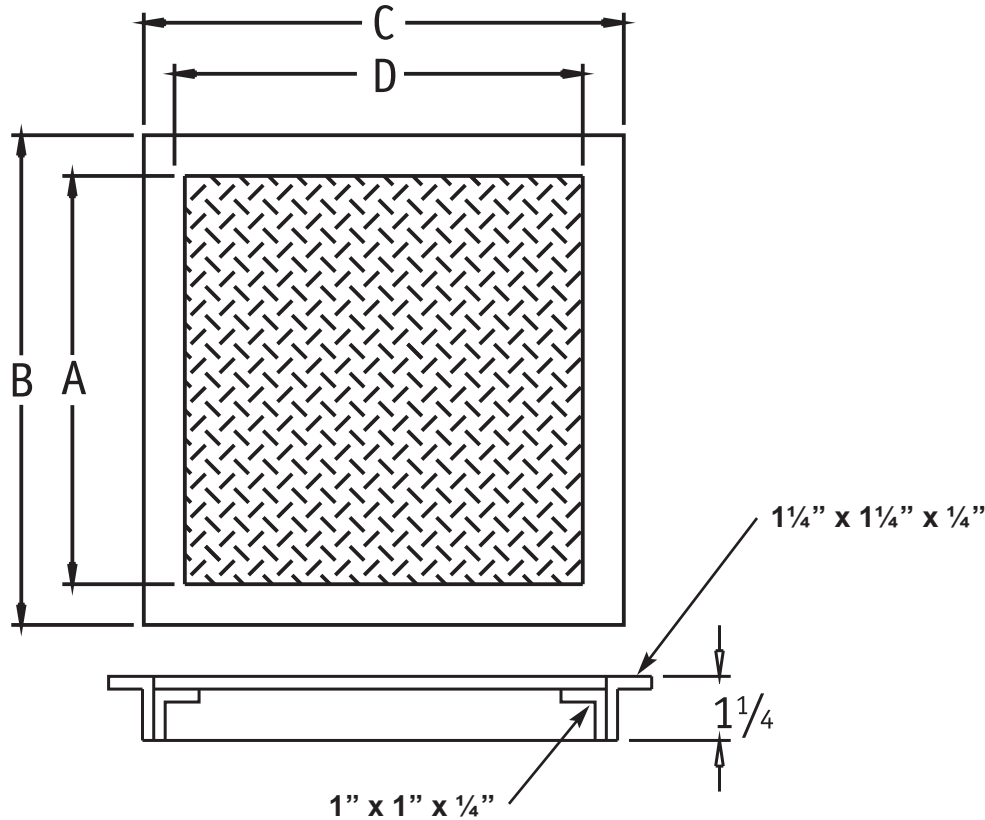
A B C

Job Name: _____

Company: _____

Date: _____

P.O.No. _____
 No. of Doors _____
 Door Model _____



Trap Door -- 150 psf (Loose Cover)

- Color: Primer
- Material: Carbon Steel
- Angle Steel Frame
- 1/4" Diamond Pattern
- Flush Mounting
- One Inch Finger Hole
- Three Standard Sizes
- Larger Sizes Custom Made
- For Light Traffic Areas

Model	Dimensions (inches)				Wgt. LBS.
	A	B	C	D	
OR-24	24	26½	26½	24	32
OR-36	36	38½	38½	36	57
OR-48	48	50½	50½	48	88

Add tank flange dimension of approximately 5" when sizing trap door. To determine actual opening through frame, subtract 2" from dimensions A & C.

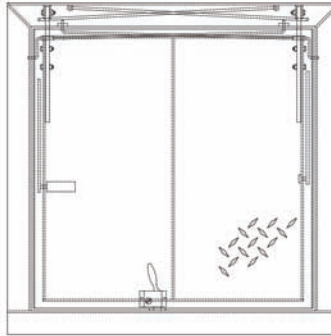
Job Name:

Company: _____

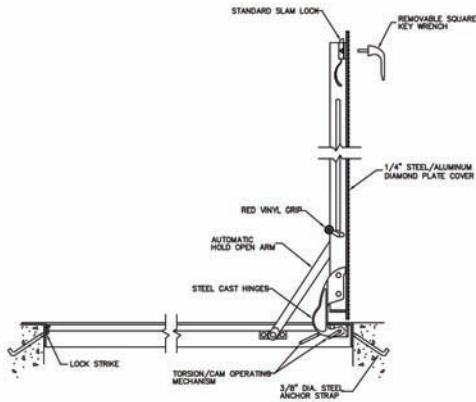
Date: _____

P.O.No. _____
 No. of Doors _____
 Door Type _____

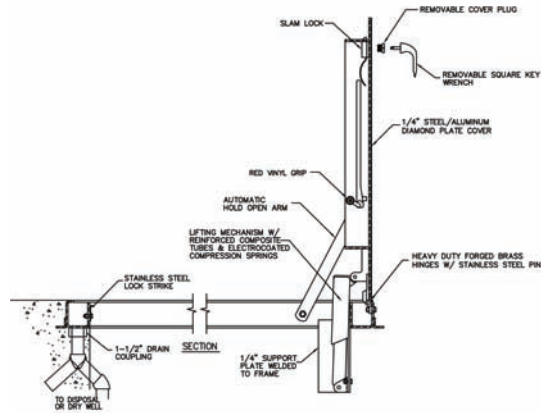
Typical Top View



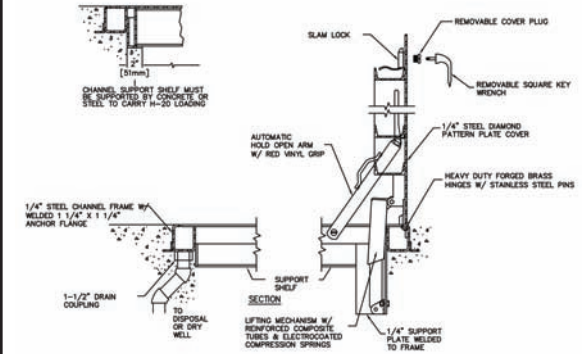
Type K / Q 150 PSF Hinged Cover



Type J 300 PSF Hinged Cover



Type JH20 H20 Wheel Loading



Model	Steel	Dimensions
J1H20		24"X24"
J4H20		36"X36"
JD2H20		48"X48"
JD4H20		60"X60"

"D" represents a double door version

Model	Model	Dimensions
AL	Steel	
K1	Q1	24"X24"
K4	Q4	36"X36"
KD2	QD2	48"X48"
KD4	N/A	60"X60"

"D" represents a double door version

Model	Model	Dimensions
AL	Steel	
J1AL	J1	24"X24"
J4AL	J4	36"X36"
JD2AL	JD2	48"X48"
JD4AL	JD4	60"X60"

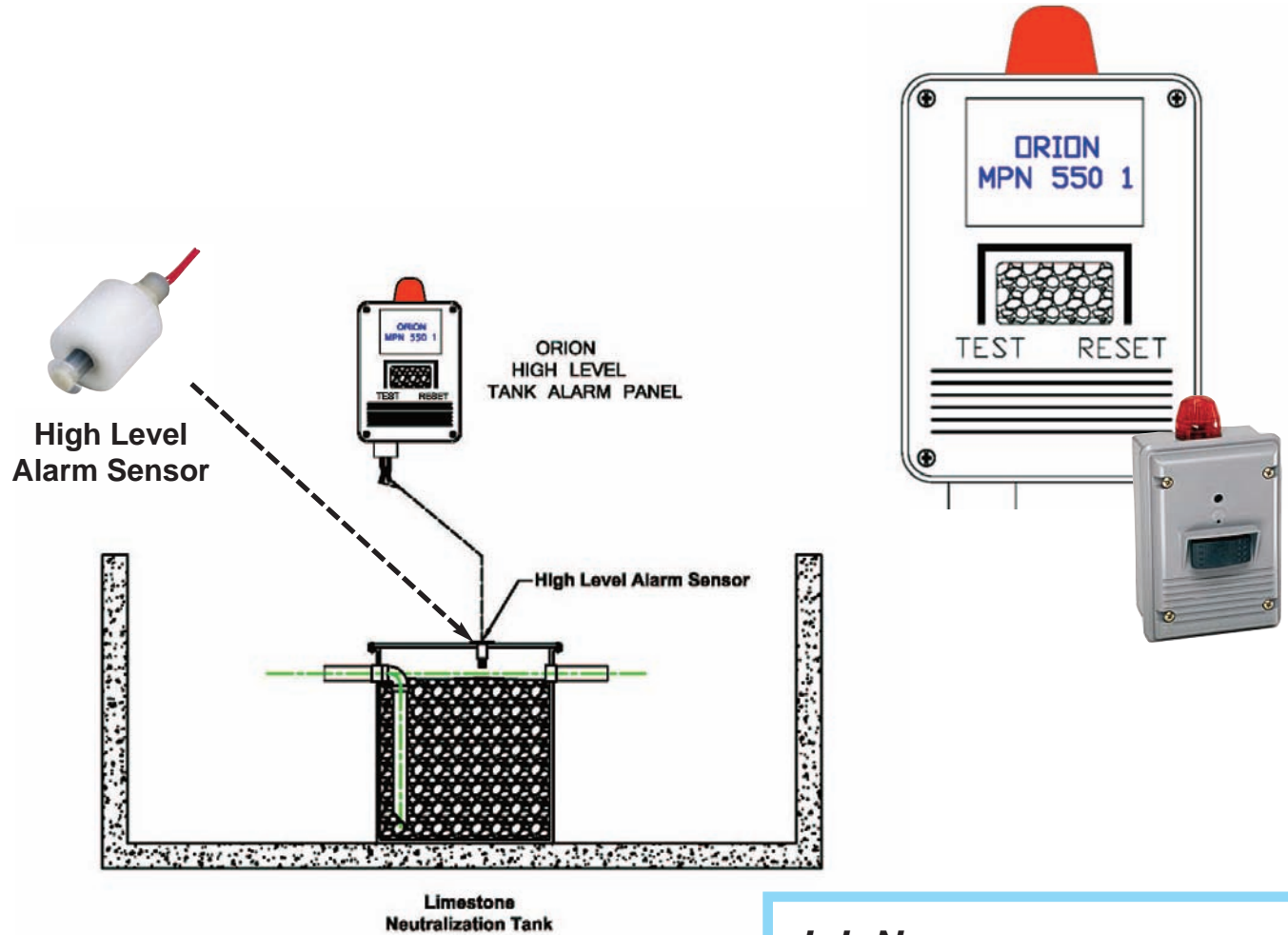
"D" represents a double door version

Job Name: _____

Company: _____

Date: _____

P.O.No. _____
 No. of Units _____



Features:

- **Automatic** alarm reset, horn silence switch and alarm test switch
- **Voltage:** 120 VAC; 7W max
- **Indicator:** Flashing light meets type 3R standards; 3 watt max
- **Audible alarm:** 82 dB @ 10ft, meets type 3R water tight standards
- **Enclosure:** Nema 4x indoor/outdoor; uv stabilized, weatherproof, thermo-plastic 6.25”h x 4.5”w x 3.0”d
- **Test/silence switch.** certified to IP66 and IP68 standards
- **UL / CUL LISTED**
- **Float sensor:** normally open; LFP-VE-P2 solid polypropylene 0.71” diameter exposed float, 194F operating temperature, 0.5A
- **6Ft power cord**

Job Name: _____

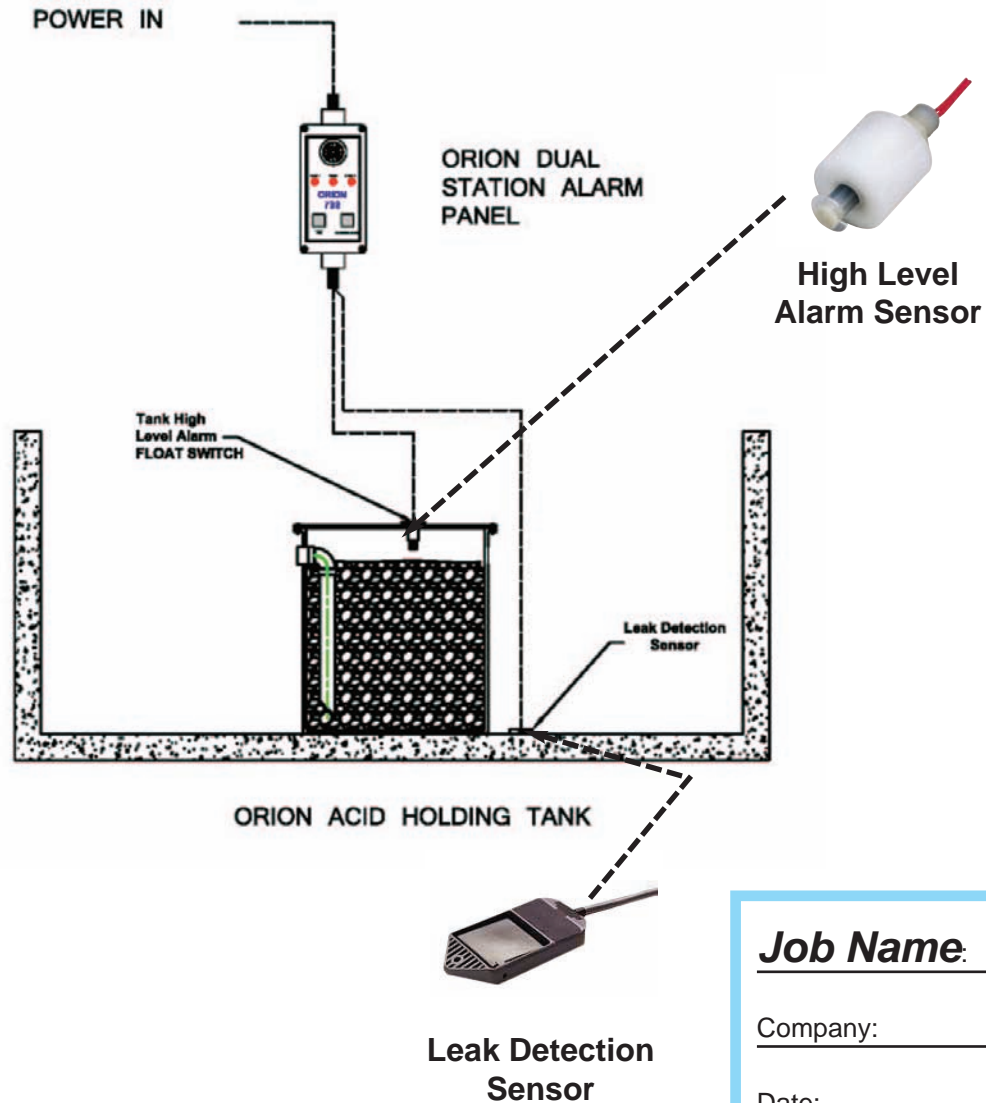
Company: _____

Date: _____

P.O.No. _____
 No. of Units _____

Features:

- **Supply Voltage:** 120 VAC +10%, -15%, 6.6 VA max
- **Indicators:** 3 solid state LED's
- **Audible alarm:** Field adjustable from 77 to 97 dB @ 2ft by rotating shutter
- **Enclosure:** Nema 3R polycarbonate; 6.25"H x 3.25"W x 3.5"D.
- **Sensor voltage / current:** 12VDC, .248 mA current.
- **Terminals:** size 6 panhead screws with captivated wire clamping plate
- **Operating Temperature:** -22F to 150F ambient
- **Sensitivity:** 0-26K ohm max specific resistance
- **UL LISTED**
- **Conduit connection:** Sensor - 3/4" NPT, PVC; Power - 1/2" NPT metal.
- **Float sensor:** normally open; LS3 solid polypropylene 1" diameter exposed float with 1/8" NPT connection
- **Flat leak detection sensor, LS10; HDPE**



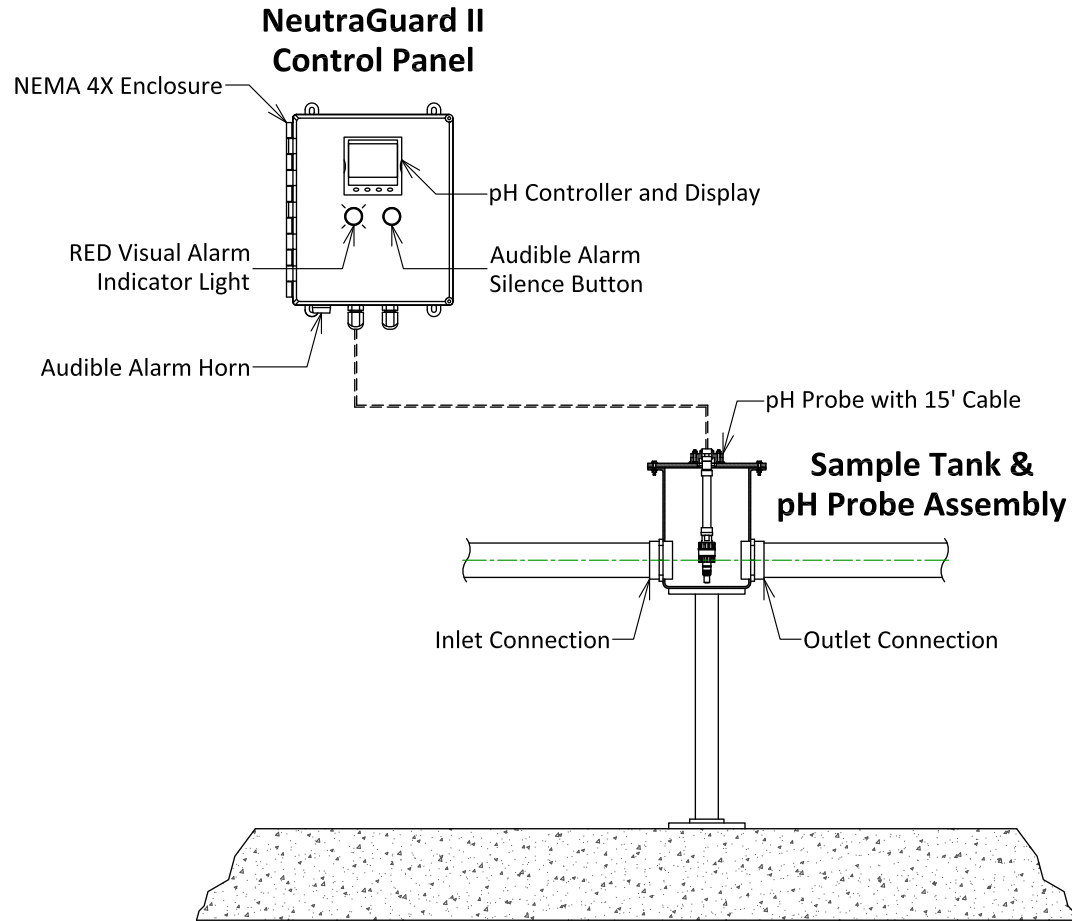
Job Name: _____

Company: _____

Date: _____

P.O.No. _____
 No. of Unit _____
 Sample Tank Size _____ 5 - Gallons

Tanks are of seamless construction
 manufactured from rotationally molded
 virgin polyethylene / polypropylene resin.



Standard Connections

	I	O
Plain End	<input type="checkbox"/>	<input type="checkbox"/>
Female	<input type="checkbox"/>	<input type="checkbox"/>
Male	<input type="checkbox"/>	<input type="checkbox"/>
Flanged	<input type="checkbox"/>	<input type="checkbox"/>

Connection Size

Inlet _____
 Outlet _____

Tank Data Sheet — Must accompany all tank orders

Job Name:

Company: _____

Date: _____

P.O.No. _____
 No. of Unti _____
 Sample Tank Size _____ 5 - Gallons

Tanks are of seamless construction
 manufactured from rotationally molded
 virgin polyethylene / polypropylene resin.

Mixing Tank Size:

Gallons: _____

Pipe Connections:

I / O / Size

- | | | | |
|---------|--------------------------|--------------------------|-------|
| Plain | <input type="checkbox"/> | <input type="checkbox"/> | _____ |
| Female | <input type="checkbox"/> | <input type="checkbox"/> | _____ |
| Male | <input type="checkbox"/> | <input type="checkbox"/> | _____ |
| Flanged | <input type="checkbox"/> | <input type="checkbox"/> | _____ |

Dosing Tanks:

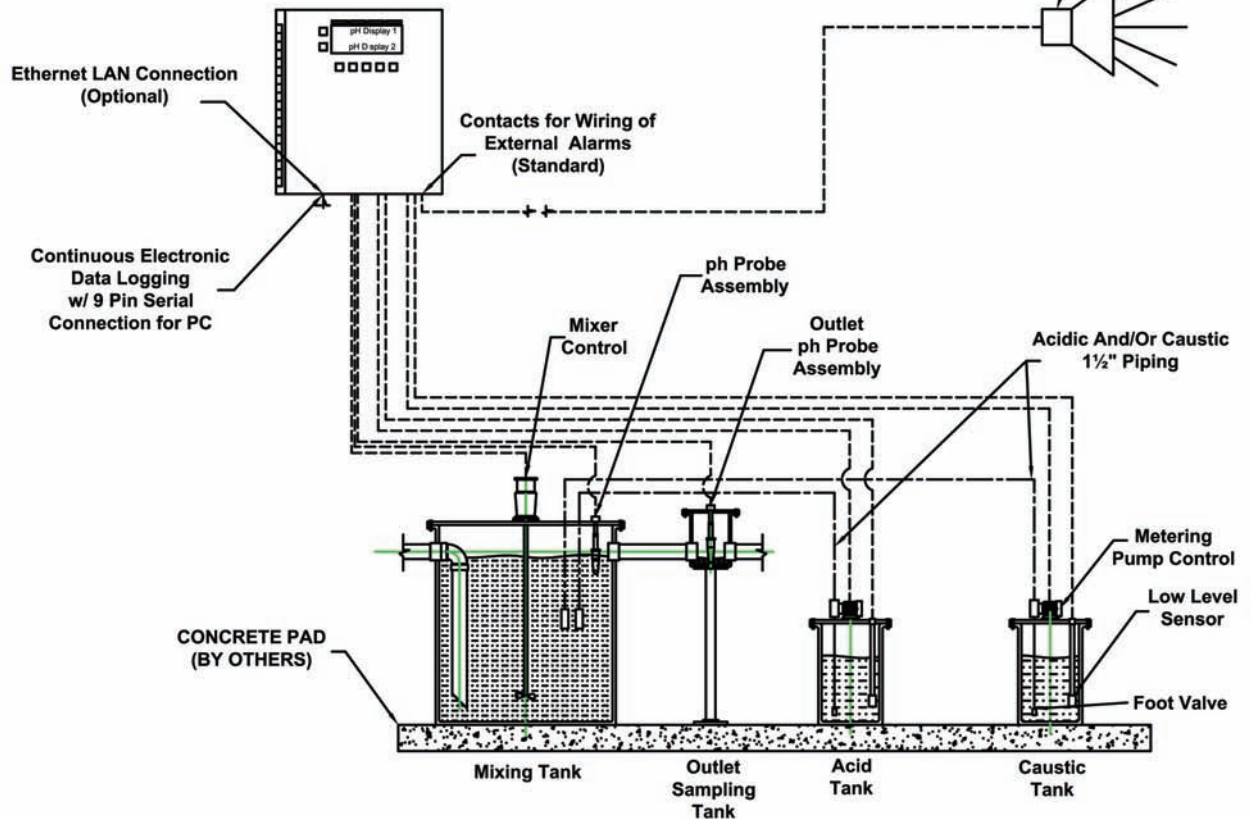
- | | | | | |
|----------------------------------|--------|--------------------------|--------|--------------------------|
| <input type="checkbox"/> Acid | 30-Gal | <input type="checkbox"/> | 55-Gal | <input type="checkbox"/> |
| <input type="checkbox"/> Caustic | 30-Gal | <input type="checkbox"/> | 55-Gal | <input type="checkbox"/> |

Optional Extras:

64mb Expanded Memory

Data Retrieval:

- 9-Pin Serial Port
 Ethernet Port



Tank Data Sheet — Must
 accompany all tank orders

Job Name: _____

Company: _____

Date: _____